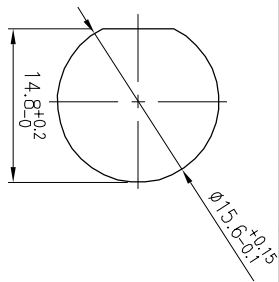
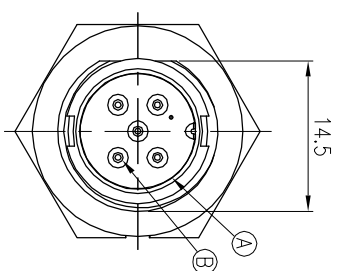
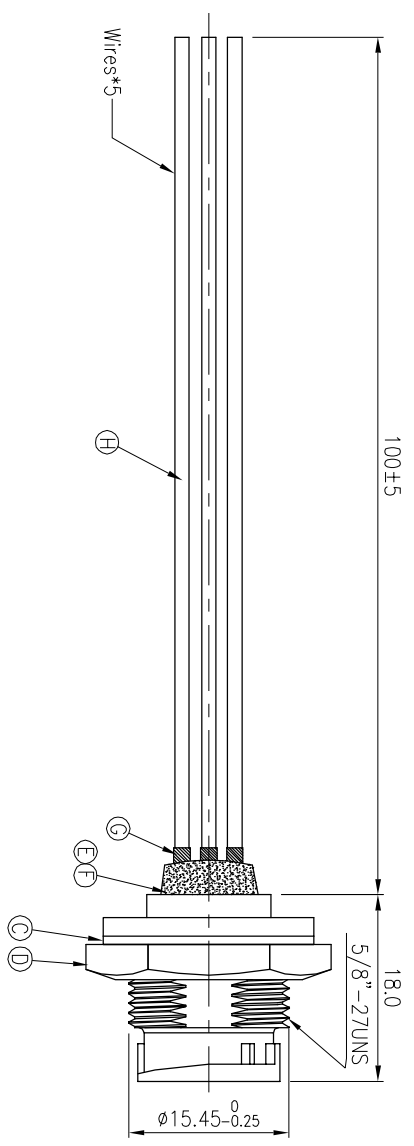


REV.	ECN NO. OR DESCRIPTION	REVISED	DATE
A	PDR NO.:T200504-1A	MF	2020.08.25

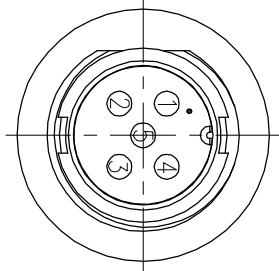


RECOMMENDED PANEL CUT-OUT



Waterproof Rate: IP67

5	RED
4	WHITE
3	BLACK
2	BLUE
1	BROWN
CONN.	WIRE COLOR
PIN OUT	



Pin Assignments
Front View

- NOTES:
1. WATERPROOF RATE: IP67
IP67: IMMersed IN 1M WATER FOR 30 MINUTES
 2. ELECTRICAL CHARACTERISTICS
TEMPERATURE RANGE: -20°C TO +80°C
CURRENT RATING: 5A
 3. SPECIFICATIONS: SEE "CIRCULAR SERIES SPECIFICATIONS".
DIELECTRIC WITHSTANDING VOLTAGE: 500V AC FOR ONE MINUTE
 4. TO CONFORM TO SINGATRON HAZARDOUS SUBSTANCE FREE SPEC.
 5. GREEN PRODUCT IDENTIFICATION LABEL ON PACKAGING:

NO	DESCRIPTION	QTY	MATERIAL	PLATING & COLOR
A	MALE PIN	5	BRASS	GOLD PLATING OVER NICKEL PLATING
B	GASKET	1	EPDM	BLACK
C	NUT	1	NYLON+GF	BLACK
D	LIQUID GLUE	1	N/A	
E	UV GLUE	1	N/A	WHITE
F	HEAT SHRINK TUBE	5	125°C 300V	BLACK
G	WIRE	5	UL1007 24AWG	SEE PIN OUT
H	DESCRIPTION			

UNLESS OTHERWISE SPECIFIED TOLERANCES		Singatron Enterprise Co., Ltd. 信善企業股份有限公司	
TITLE	CIRCULAR STANDARD SIZE (SOLDER TYPE)		
DWN	MF	PART NO.	2CT3002-W05312H
CHKD	Cerry	SCALE	2:1
APVD	William	SIZE	A3
		SHEET	1 OF 1
		REV	A

CUSTOMER COPY