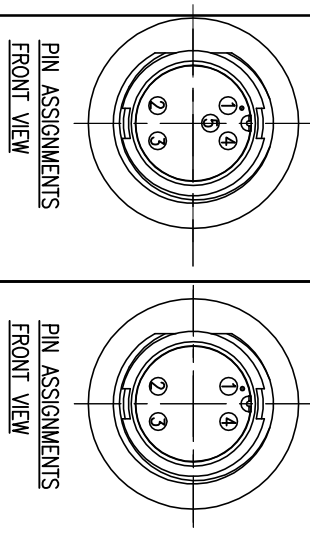
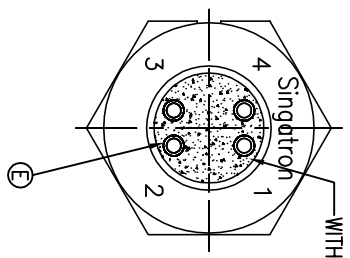
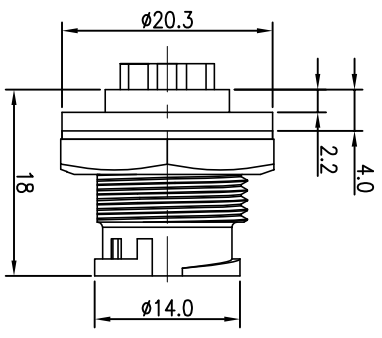


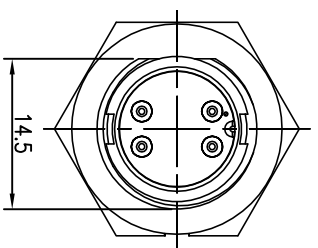
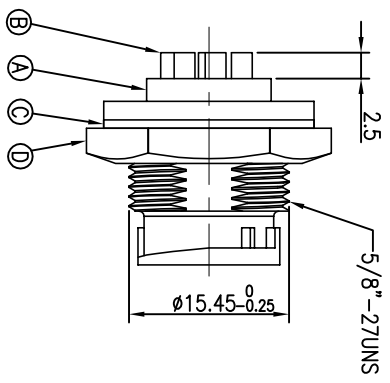
P/N: 2CT3002-W05200 2CT3002-W04200



PIN ASSIGNMENTS
FRONT VIEW

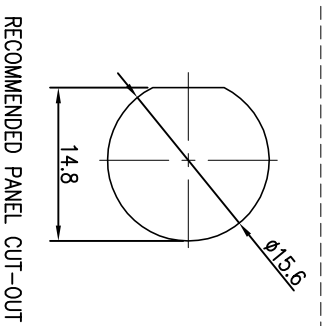


WITH LIQUID GLUE



- NOTES:
1. WATERPROOF RATE: IP67
IP67: IMMERSED IN 1M WATER FOR 30 MINUTES
 2. ELECTRICAL CHARACTERISTICS
TEMPERATURE RANGE: -40°C TO +100°C
CURRENT RATING: 2A
DIELECTRIC WITHSTANDING VOLTAGE: 500V AC FOR ONE MINUTE
 3. SPECIFICATIONS: SEE "CIRCULAR SERIES SPECIFICATIONS"
 4. TO CONFORM TO SINGATRON HAZARDOUS SUBSTANCE FREE SPEC.
 5. GREEN PRODUCT IDENTIFICATION LABEL ON PACKAGING: G.P. PASS
 6. FOR PANEL THICKNESS MAX OF 4.0mm
 7. ORDER INFORMATION: 2CT3002-W0X200

04~05- 4~5 PIN



RECOMMENDED PANEL CUT-OUT

REV.	ECN NO OR DESCRIPTION	REVISED	DATE
A	PDR NO:1091106-3E/3G	HARLEN	2009.11.13
B	ECN NO: S121109	YF	2014.03.26

E	LIQUID GLUE	1	N/A	BLACK
D	NUT	1	NYLON+GF	BLACK
C	GASKET	1	EPDM	BLACK
B	MALE PIN	*	BRASS	6u" GOLD PLATING OVER NICKEL PLATING
A	BODY	1	NYLON+GF	BLACK
UNLESS OTHERWISE SPECIFIED TOLERANCES		QTY	MATERIAL	PLATING & COLOR
DECIMALS: ANGLES:		Singatron Enterprise Co., Ltd. 信音企業股份有限公司		
X	:±0.5	X	:±2°	TITLE CIRCULAR STANDARD SIZE (SOLDER/LOCK TYPE)
XX	:±0.3	XX	:±1'	MALE CONN. MALE (4~5)PIN (2A)
XXX	:±0.2			PART NO. 2CT3002-W04200
CHKD Harlen		SCALE	2:1	UNIT: mm
APVD Quon		SIZE: A3	SHEET: 1 OF 1	REV: B

CUSTOMER COPY