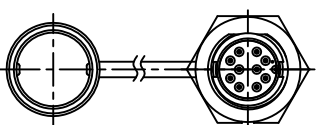
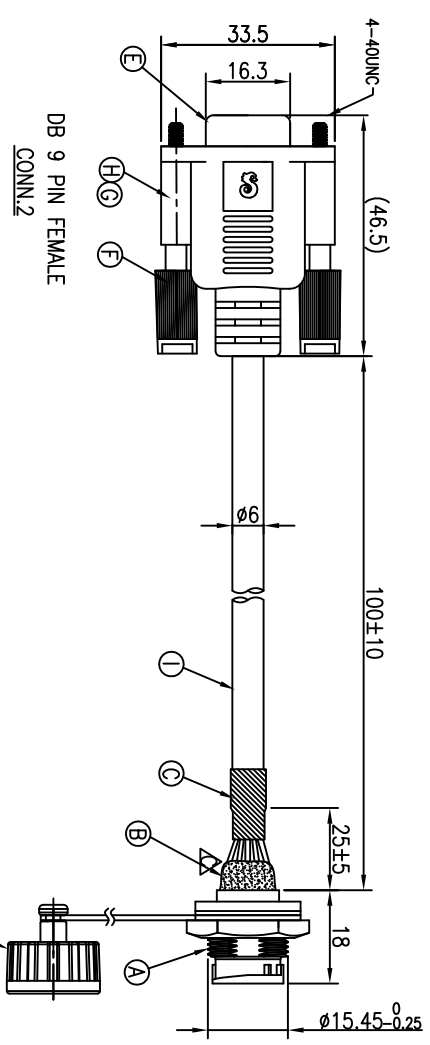
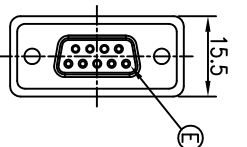
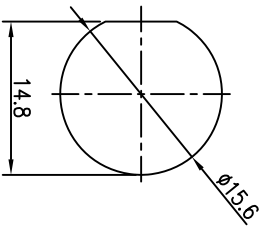
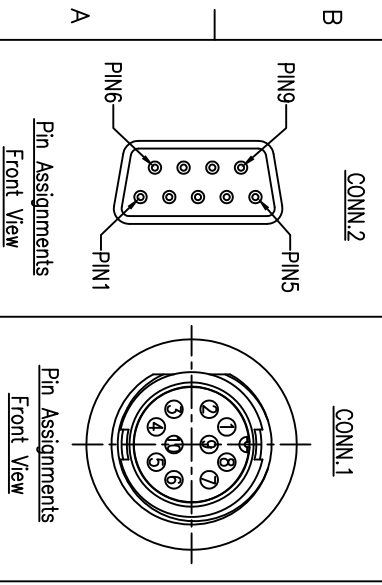


REV.	ECN NO OR DESCRIPTION	REVISION	DATE
A	PDR NO.:T090120-3A	Steve	2009.04.28
B	ECN NO.:S120511-2	LILY	2012.06.06
C	ECN NO.:S130201	LILY	2013.05.16



CONN. WATERPROOF RATE: IP67
Conn.1

Shield	DRAIN	10
9	GRAY	9
8	PURPLE	8
7	BLUE	7
6	GREEN	6
5	YELLOW	5
4	ORANGE	4
3	RED	3
2	BROWN	2
1	BLACK	1
CONN.2	WIRE COLOR	CONN.1
	PIN OUT	



- NOTES:
1. WATERPROOF RATE: IP67
 2. CURRENT RATING: 2A
 3. SPECIFICATIONS:SEE "CIRCULAR SERIES SPECIFICATIONS".
 4. TO CONFORM TO SINGATRON HAZARDOUS SUBSTANCE FREE SPEC.
 5. GREEN PRODUCT IDENTIFICATION LABEL ON PACKAGING: GR-PASS

NO	DESCRIPTION	QTY	MATERIAL	PLATING & COLOR
1	CABLE	1	UL2464 26#*9C+D+	BLACK(PVC JACKET)
H	INNER MOLD	1	LD-PE	Nature
G	OVER MOLD	1	PVC(45P)	BLACK
F	SCREW	2	4#-40 NICKEL PLATED	N/A
E	CONNECTOR	1	DB 9 PIN FEMALE	BLACK CORE
D	Waterproof Cap	1	P/N:2CT3000-W0000W	BLACK
C	SHRINK TUBE	1	φ6.0*16	BLACK
B	THERMAL GLUE	1	φ7mm	WHITE
A	PANEL CONN.	1	P/N:2CT3002-W10200	BLACK
NO	DESCRIPTION	QTY	MATERIAL	PLATING & COLOR

DECIMALS:	ANGLES:
X :±0.5	X :±2°
XX :±0.3	XX :±1°
X:XX :±0.2	

UNLESS OTHERWISE SPECIFIED TOLERANCES

Singatron Enterprise Co., Ltd.
信亨企業股份有限公司

CIRCULAR STANDARD SIZE (SOLDER TYPE)
MALE CONN. MALE 10PIN TO DB9 FEMALE

DMN LLY PART NO.2CT3002-W102A2

CHKD Harlen SCALE 1:1 UNIT: mm

APVD Quon SIZE: A3 SHEET:1 OF 1 REV:C

CUSTOMER COPY