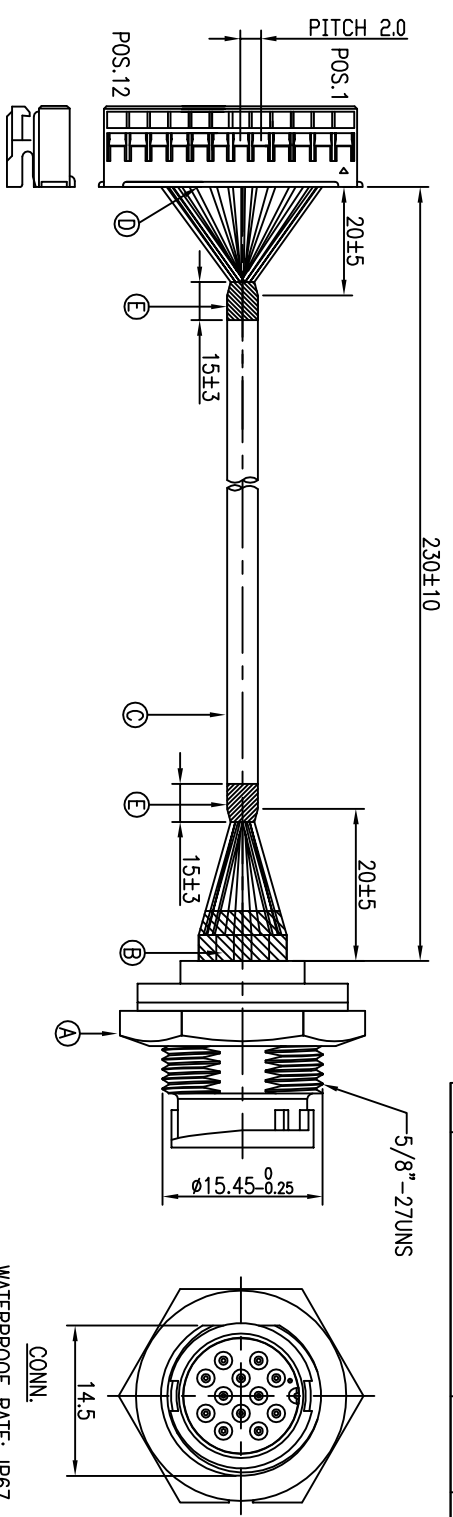


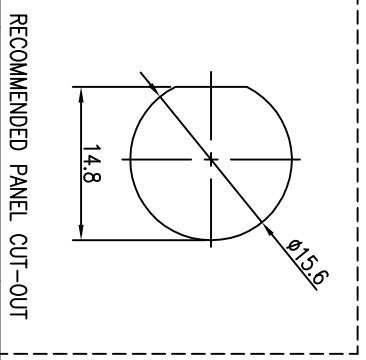
REV.	ECN NO OR DESCRIPTION	REVISED	DATE
A	PDR NO:T190708-9A	JAY	2020.06.29



WATERPROOF RATE: IP67

- NOTES:
1. WATERPROOF RATE: IP67
  2. IP67: IMMERSED IN 1M WATER FOR 30 MINUTES
  3. CURRENT RATING: 2A
  4. SPECIFICATIONS:SEE "CIRCULAR SERIES SPECIFICATIONS".
  5. TO CONFORM TO SINGATRON HAZARDOUS SUBSTANCE FREE SPEC.
  6. GREEN PRODUCT IDENTIFICATION LABEL ON PACKAGING: GR\_PASS

12	LIGHT GREEN	12
11	PURPLE	11
10	ORANGE	10
9	BLACK	9
8	RED	8
7	PINK	7
6	GREY	6
5	YELLOW	5
4	GREEN	4
3	WHITE	3
2	BLUE	2
1	BROWN	1



E	HEAR SHRINK TUBE	2	φ7.0 300V 125'	BLACK
D	CONNECTOR(TTYU)	12	TER:TU2008TP0-2A	WHITE TIN-PLATED
C	CABLE	1	UL2464 26AWG*12C+ A/My OD5.9mm	BLACK (PVC JACKET)
B	HEAT SHRINK TUBE	12	φ1.5 125' 300V	BLACK
A	CONNECTOR	1	P/N:2CT33002-W10200	BLACK
NO		DESCRIPTION		PLATING & COLOR
NO		DESCRIPTION		MATERIAL
NO		DESCRIPTION		QTY
UNLESS OTHERWISE SPECIFIED TOLERANCES				
DECIMALS: ANGLES: TITLE				
X :±0.5 X :±2' CIRCULAR MIN SIZE (SOLDER/LOCK TYPE)				
XX :±0.3 XX :±1' MALE CONN. MALE 12PIN (2A)				
X.XX :±0.2 X.XX :±1' CHKD JAY PART NO.2CT33002-W12210H				
APVD William SCALE 2:1 UNIT: mm				
SIZE: A3 SHEET:1 OF 1 REV: A				
CUSTOMER COPY				

Singatron Enterprise Co., Ltd.  
信譽企業股份有限公司