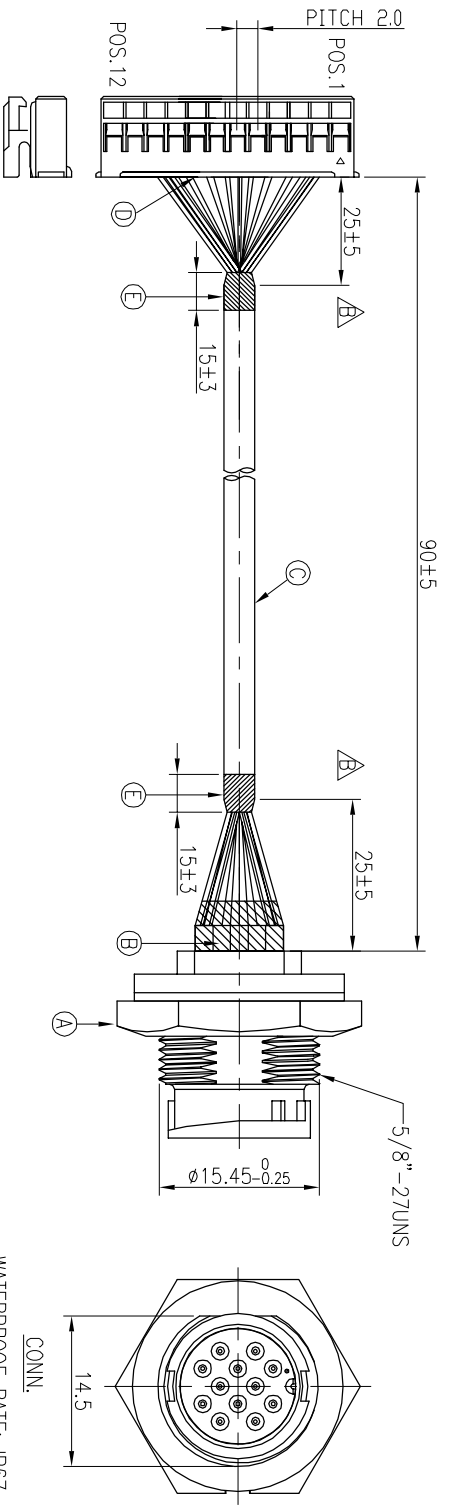
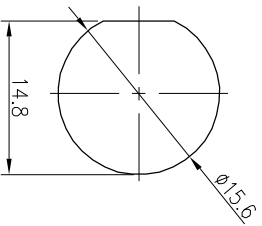
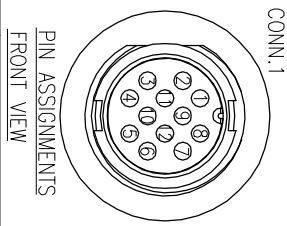


REV.	ECN NO OR DESCRIPTION	REVISED	DATE
A	PDR NO:T190716-7A	JAY	2020.06.23
B	ECN NO:S202010-C09	RZ	2020.12.03



- NOTES:
1. WATERPROOF RATE: IP67
 2. CURRENT RATING: 2A
 3. SPECIFICATIONS:SEE "CIRCULAR SERIES SPECIFICATIONS".
 4. TO CONFORM TO SINGATRON HAZARDOUS SUBSTANCE FREE SPEC.
 5. GREEN PRODUCT IDENTIFICATION LABEL ON PACKAGING: **GREEN**
 6. FOR PANEL THICKNESS MAX OF 4.0mm

POS.	WIRE COLOR	CONN.1	CONN.2
12	LIGHT GREEN	12	
11	PURPLE	11	
10	ORANGE	10	
9	BLACK	9	
8	RED	8	
7	PINK	7	
6	GREY	6	
5	YELLOW	5	
4	GREEN	4	
3	WHITE	3	
2	BLUE	2	
1	BROWN	1	



RECOMMENDED PANEL CUT-OUT

E	HEAR SHRINK TUBE	2	φ7.0 300V 125'	BLACK
D	CONNECTOR(TVU)	1	HSG:TU2008HNO-12	WHITE
		12	TER:TU2008TPD-2A	TIN-PLATED
C	CABLE	1	UL2464 26AWG*12C+ A/My 0D5.9mm	BLACK (PVC JACKET)
B	HEAT SHRINK TUBE	12	φ1.5 125' 300V	BLACK
A	CONNECTOR	1	P/N:2CT3002-W12200	BLACK
NO	DESCRIPTION	QTY	MATERIAL	PLATING & COLOR

UNLESS OTHERWISE SPECIFIED TOLERANCES

DECIMALS: ANGLES:

X :±0.5 X :±2°
 XX :±0.3 XX :±1'
 XXX :±0.2

Suzhou Singatron Auto Electronics CO.,LTD.
 苏州信高汽车电子有限公司

CIRCULAR MINI SIZE (SOLDER/LOCK TYPE)
 MALE CONN MALE 12PIN (2A)

DMW RZ
 CHKD Carry
 APVD William

PART NO.2CT3002-W12211H
 SCALE 2:1 UNIT: mm
 SIZE: A4 SHEET:1 OF 1 REV: B

CUSTOMER COPY