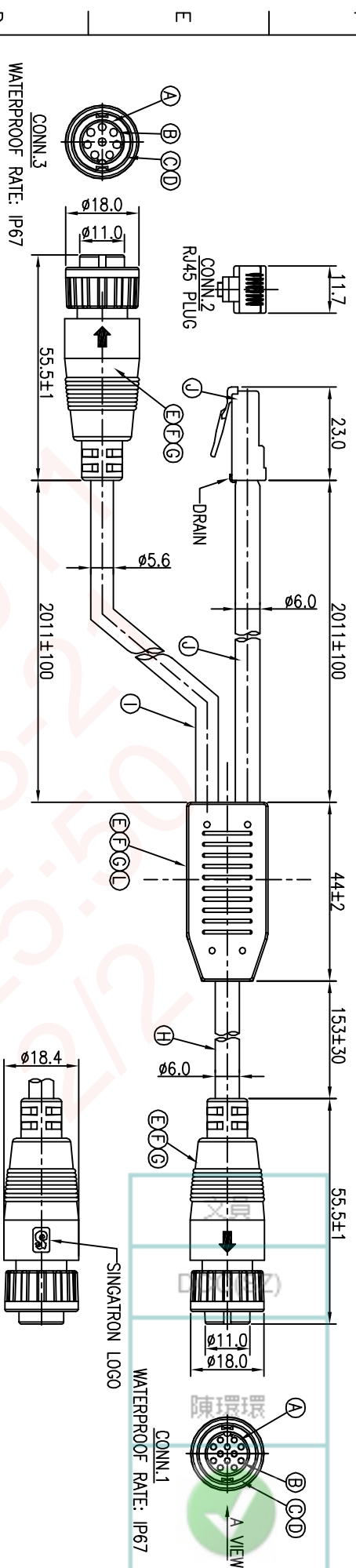
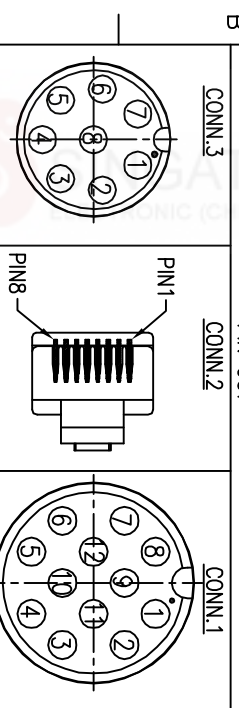


REV.	ECN NO.	OR DESCRIPTION	REVISED	DATE
A	PDR NO.:S150625-1A	JF	2015.08.18	



8	DRAIN	SHIELD	DRAIN	12	DRAIN
5	WHITE	---	---	11	WHITE
6	BLUE	---	---	10	BLUE
4,7	GREEN	---	---	9	GREEN
3	YELLOW	---	---	8	YELLOW
2	RED	---	---	7	RED
1	BLACK	---	---	6	BLACK
---	---	---	---	5	---
---	---	---	---	4	---
---	---	---	---	3	---
---	---	---	---	2	---
---	---	---	---	1	---
CONN.3&WIRE COLOR	CONN.2&WIRE COLOR	CONN.1&WIRE COLOR	PIN OUT	1	BROWN



Pin Assignments Front View 2CT3004-W08300

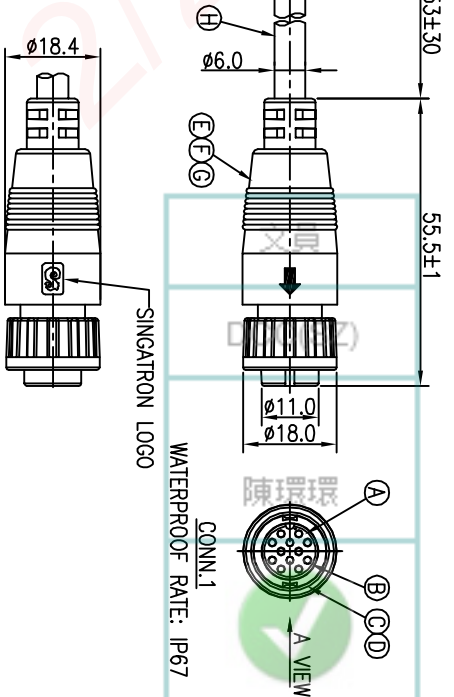
Pin Assignments Front View R45 SHIELDED PLUG

Pin Assignments Front View 2CT3004-W12200

NOTES:

1. WATERPROOF RATE: IP67  
IP67: IMMERSED IN 1M WATER FOR 30 MINUTES
2. CURRENT RATING: 1A
3. OTHER GENERAL SPEC. TO REFER CIRCULAR SERIES SPEC."
4. TO CONFORM TO SINGATRON HAZARDOUS SUBSTANCE FREE SPEC.
5. GREEN PRODUCT IDENTIFICATION LABEL ON PACKAGING: **G.P. PASS**

A VIEW



L	ACETATE TAPE	11	W10*0.12T	BLACK
K	R45 PLUG	1	8P8C SHIELDED	GOLD PLATED
J	CABLE 3	1	CAT5E FTP 24#*4P+ M/or+D+A/M/y (UV Resistant) OD6.0	BLACK(PVC JACKET)
I	CABLE 2	1	UL 2464 24AWG*7C+ADB (UV Resistant) OD5.6	BLACK(PVC JACKET)
H	CABLE 1	1	UL 2464 26AWG*10C+AD (UV Resistant) OD6.0	BLACK(PVC JACKET)
G	HEAT SHRINK TUBE	20	Ø1.5 300V 125'	BLACK
F	OVER MOLD	3	PVC	BLACK
E	INNER MOLD	3	TPU	NATURAL
D	O-RING	2	EPDM	BLACK
C	LOCK NUT	2	PA66+30%GF	BLACK
B	FEMALE PIN	20	Phosphor Bronze	6U" GOLD PLATING OVER NICKEL PLTING
A	BODY	2	PA66+GF	BLACK
NO	DESCRIPTION	QTY	MATERIAL	PLATING & COLOR

UNLESS OTHERWISE SPECIFIED TOLERANCES

DECIMALS: ANGLES:

:.F0.5 X :±2

X.X :±0.3 X.X :±1'

X.XX :±0.2

Singatron Enterprise Co., Ltd.  
信登企業股份有限公司

CIRCULAR STANDARD SIZE FEMALE CONN FEMALE PIN + R45 STP PLUG (CAT.5E)

DMN JF PART NO.2CT3004-J12222H

CHKD Yang SCALE 1:1 UNIT: mm

APVD Horlen SIZE: A3 SHEET: 1 OF 1 REV: A

CUSTOMER COPY