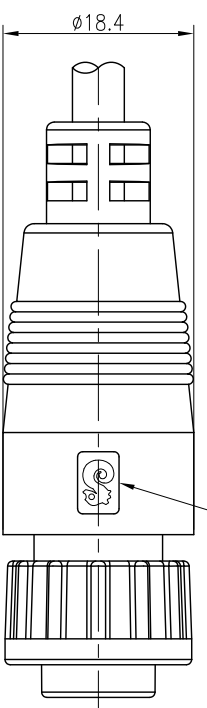
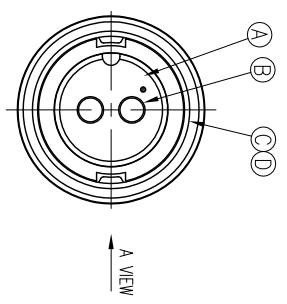
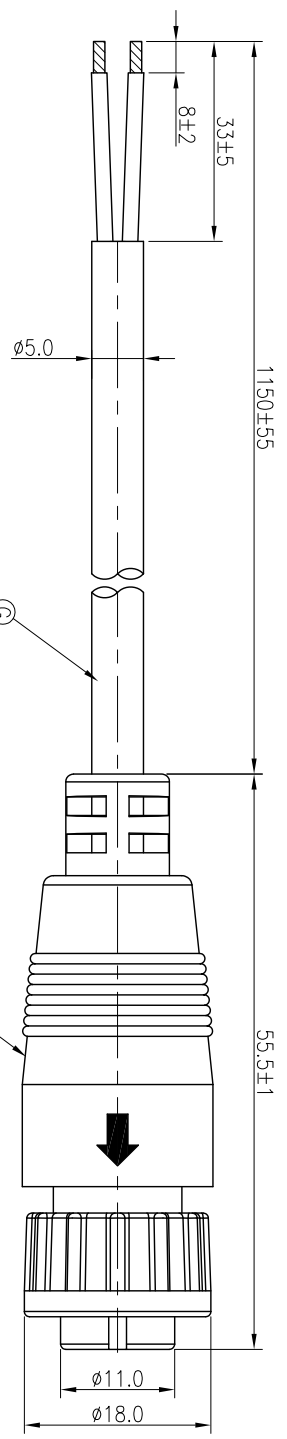
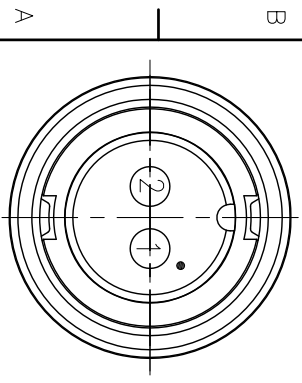


REV.	ECN NO OR DESCRIPTION	REVISED	DATE
A	PDR NO.:S141216-1D	Yang	2015.01.21



A VIEW

RED	2
BLACK	1
WIRE COLOR	CONN.
PIN OUT	
CONN.	



Pin Assignments
Front View

- NOTES:
1. WATERPROOF RATE: IP67
 2. IP67: IMMERSED IN 1M WATER FOR 30 MINUTES
 3. CURRENT RATING: 5A
 4. SPECIFICATIONS:SEE "CIRCULAR SERIES SPECIFICATIONS";
 5. TO CONFORM TO SINGATRON HAZARDOUS SUBSTANCE FREE SPEC.
 6. GREEN PRODUCT IDENTIFICATION LABEL ON PACKAGING: **GREEN PASS**

NO	DESCRIPTION	QTY	MATERIAL	PLATING & COLOR
I	LIQUID GLUE	1	N/A	BLACK
H	TUBE	1	125C° 300V	BLACK
G	CABLE	1	UL2464 22AWG*2C+AL +D+B(UV RESISTANT) OD=5.0	BLACK PVC JACKET
F	INNER MOLD	1	TPU	NATURAL
E	OVER MOLD	1	PVC	BLACK
D	O-RING	1	EPDM	BLACK
C	LOCK NUT	1	NYLON	BLACK
B	FEMALE PIN	2	PHOSPHOR BRONZE	GOLD PLATING OVER NICKEL PLATING
A	BODY	1	NYLON	BLACK

UNLESS OTHERWISE SPECIFIED TOLERANCES

Singatron Enterprise Co., Ltd.
 信亨企業股份有限公司

TITLE: CIRCULAR STANDARD SIZE (LOCK TYPE)
 FEMALE CONN. FEMALE 2 PIN 5A

DMW	Yang	PART NO.2CT3004-W02318H
CHKD	Horten	SCALE 2:1 UNIT: mm
APVD	Steve	SIZE: A3 SHEET:1 OF 1 REV:A

CUSTOMER COPY