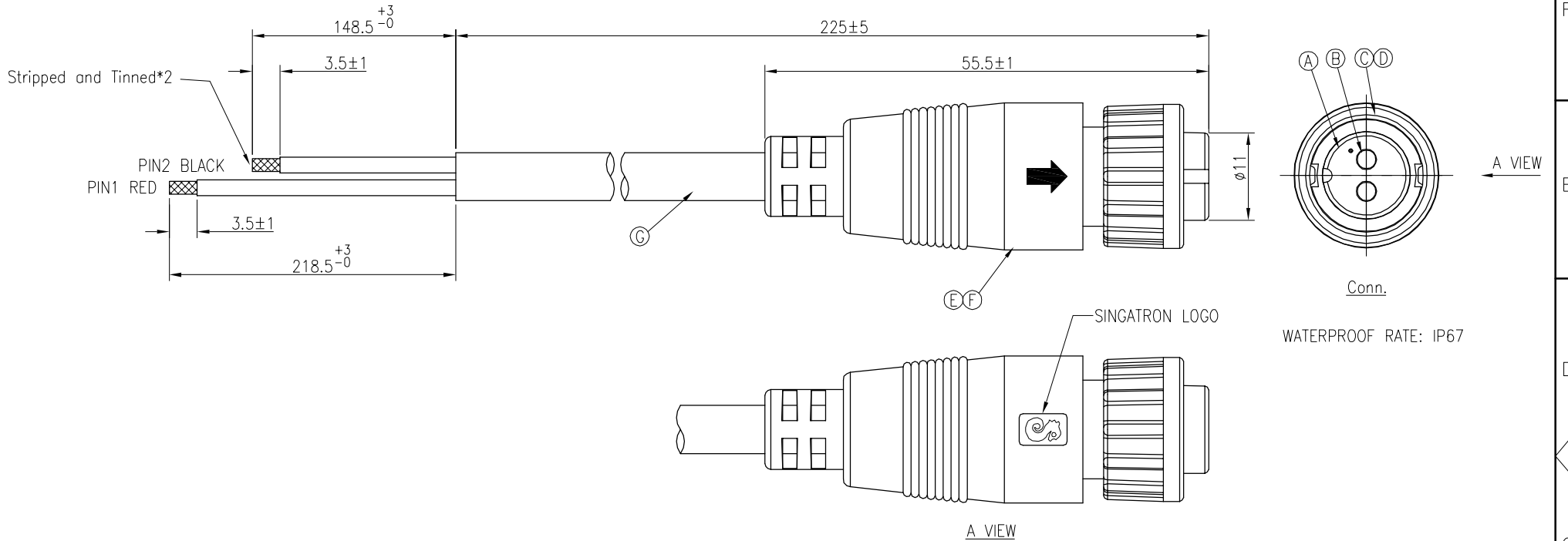


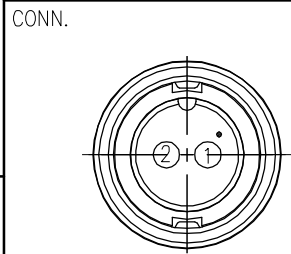
REV.	ECN NO OR DESCRIPTION	REVISED	DATE
A	PDR NO.:S100127-2A	LILY	2010.02.23
B	ECN NO.:S202308-R01	LEI	2023.08.29



Conn.
WATERPROOF RATE: IP67

BLACK	2
RED	1
WIRE COLOR	CONN.

PIN DEFINE



Pin Assignments
Front View

NOTES:

1. WATERPROOF RATE: IP67
IP67: IMMERSED IN 1M WATER FOR 30 MINUTES
2. CURRENT RATING: 10A
3. SPECIFICATIONS:SEE "CIRCULAR SERIES SPECIFICATIONS".
4. TO CONFORM TO SINGATRON HAZARDOUS SUBSTANCE FREE SPEC.
5. GREEN PRODUCT IDENTIFICATION LABEL ON PACKAGING: **D.P. PASS**

G	CABLE	1	UL2464 18AWG*2C (UV RESISTANT) OD=φ6.0	BLACK(PVC JACKET)
F	INNER MOLD	1	TPU	NATURAL
E	OVER MOLD	1	PVC	BLACK
D	O-RING	1	EPDM	BLACK
C	LOCK NUT	1	NYLON+33%GF(70G33L)	BLACK
B	FEMALE PIN	2	Phosphor Bronze C5441	6u" GOLD PLATED OVER NICKEL PLATING
A	BODY	1	NYLON+33%GF(70G33L)	BLACK
NO	DESCRIPTION	QTY	MATERIAL	PLATING & COLOR
UNLESS OTHERWISE SPECIFIED TOLERANCES			Suzhou Singatron Auto Electronics CO.,LTD. 蘇州信音汽車電子有限公司	
DECIMALS:		ANGLES:		TITLE
X :±0.5	X :±2°			CIRCULAR STANDARD SIZE (IP67) FEMALE CONN. FEMALE 2PIN(10A) LOCK TYPE
X.X :±0.3	X.X :±1°	DWN	LEI	PART NO.2CT3004-W02419
X.XX :±0.2		CHKD	Jun	SCALE 2:1 UNIT: mm
		APVD	JF	SIZE: A3 SHEET:1 OF 1 REV: B
CUSTOMER COPY				