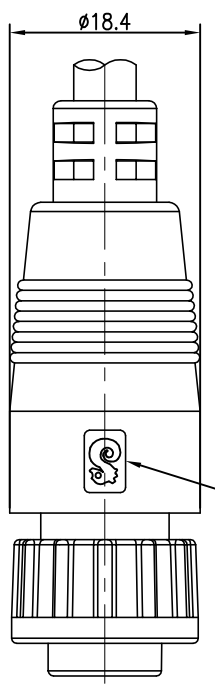
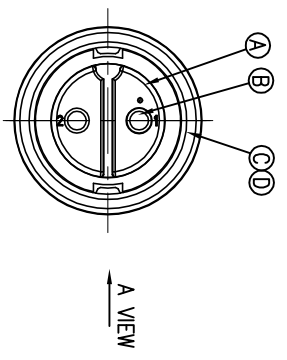
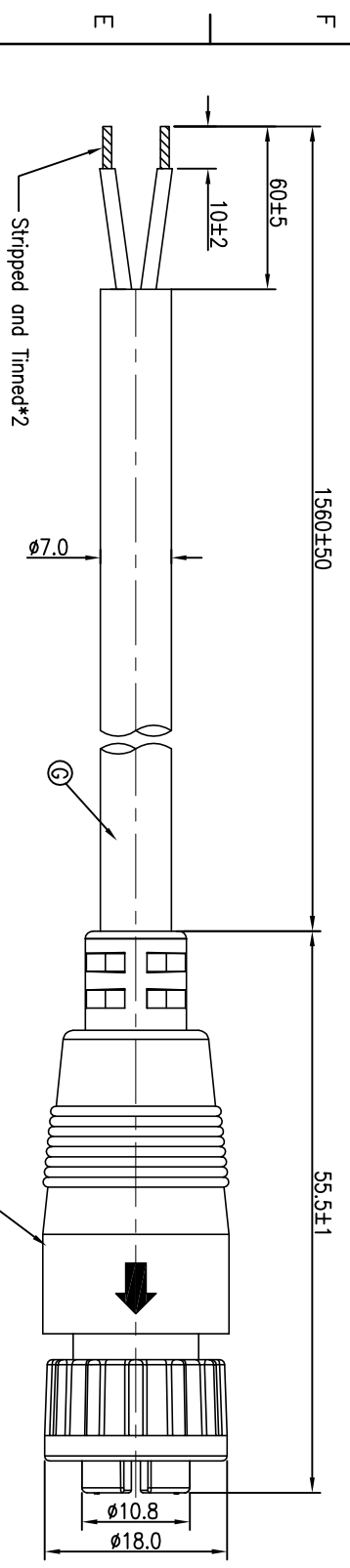
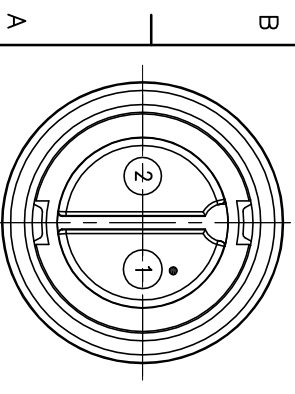


REV.	ECN NO	OR DESCRIPTION	REVISED	DATE
A	PDR NO.:S140526-8Q		YF	2014.07.31



BLACK	2
BROWN	1
WIRE COLOR	CONN.
PIN OUT	CONN.



- NOTES:
- ELECTRICAL CHARACTERISTICS:
 - 1-1 CURRENT RATING: 10AMPS
 - 1-2 CONTACT RESISTANCE: 30hm Max.
 - 1-3 INSULATION RESISTANCE: 100 Mohm Min. at 500VDC
 - 1-4 BREAKDOWN VOLTAGE: 1000 VAC PER MINUTE
 - MECHANICAL CHARACTERISTICS: CONTACT ACCOMMODATION:1.6~20AMWG
 - ENVIRONMENTAL:
 - 3-1 OPERATING TEMPERATURE: -20° TO +80°
 - 3-2 SEALING REQUIREMENTS: IP67
 - 4. LIFE TEST: 1,000 CYCLES MIN.
 - 5. OTHER GENERAL SPEC. TO REFER CIRCULAR STANDARD SIZE SERIES SPEC.
 - 6. FOR TECHNICAL DATA REFER TO YOUR LOCAL SINGATRON ELECTRONICS SALES OFFICE
 - 7. ALL DIMENSIONS ARE NOMINAL FOR REFERENCE ONLY UNLESS OTHERWISE STATED
 - 8. TO CONFORM TO SINGATRON HAZARDOUS SUBSTANCE FREE SPEC
 - 9. GREEN PRODUCT IDENTIFICATION LABEL ON PACKAGING: Gr. Pass

NO	DESCRIPTION	QTY	MATERIAL	PLATING & COLOR
A	BODY	1	NYLON+33%GF	BLACK
B	FEMALE PIN	2	PHOSPHOR BRONZE	6u" GOLD PLATING ALL OVER Ni 60u"
C	LOCK NUT	1	NYLON+33%GF	BLACK
D	O-RING	1	EPDM	BLACK
E	OVER MOLD	1	PVC	BLACK
F	INNER MOLD	1	TPU	NATURAL
G	CABLE	1	H05RN-F 2*1.0 VDE ROHS OD=7.0(密胶)	BLACK(PVC JACKET)

UNLESS OTHERWISE SPECIFIED TOLERANCES

DECIMALS: ANGLES:

X :±0.5 X :±2
 X.X :±0.3 X.X :±1'
 X.XX :±0.2

TITLE: CIRCULAR STANDARD SIZE (IP67)
 FEMALE CONN. FEMALE 2PIN(10A) LOCK TYPE

DWN YF PART NO. 2CT19004-W02402H

CHKD Harden SCALE 2:1 UNIT: mm

APVD Steve SIZE: A3 SHEET: 1 OF 1 REV: A