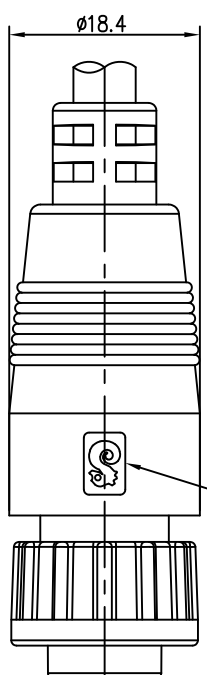
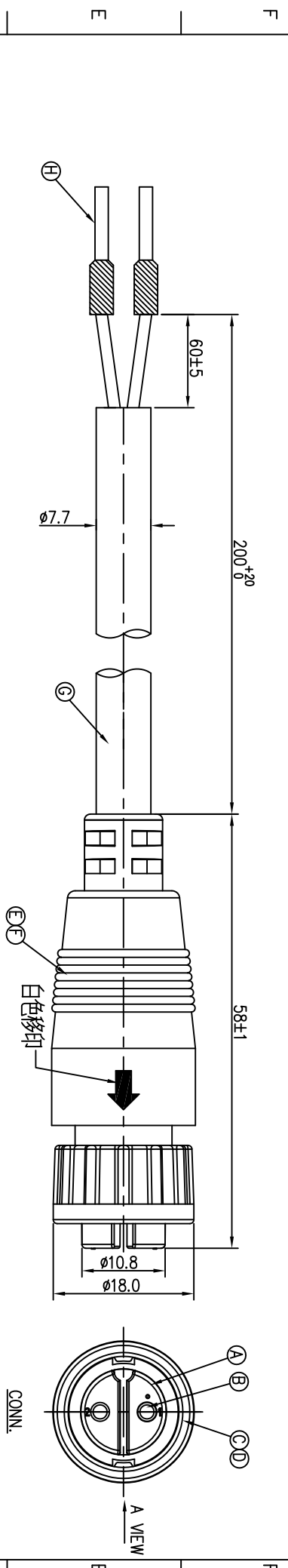


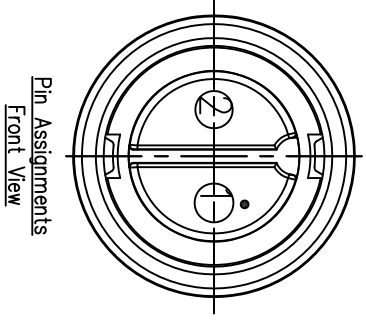
REV	ECN NO	OR DESCRIPTION	REVISED	DATE
A	PDR NO.: S140919-7A		YF	2014.11.04



BLACK	2
RED	1
WIRE COLOR	CONN.
PIN OUT	
CONN.	

CUSTOMER P/N	SINGATRON P/N
K3: 3.10.4718.41.805	ZCT3004-W02496H

- NOTES:
1. WATERPROOF RATE: IP67
 2. CURRENT RATING: 10A
 3. SPECIFICATIONS: SEE "CIRCULAR SERIES SPECIFICATIONS".
 4. TO CONFORM TO SINGATRON HAZARDOUS SUBSTANCE FREE SPEC.
 5. GREEN PRODUCT IDENTIFICATION LABEL ON PACKAGING: **G.P. PASS**



A VIEW

H	TERMINAL	2	1.0 ²	N/A
G	CABLE (芯数)	1	H07RN-F 2*1MM ² VDE ROHS OD=Ø7.7	BLACK(PVC JACKET)
F	INNER MOLD	1	TPU	NATURAL
E	OVER MOLD	1	PVC	BLACK
D	O-RING	1	EPDM	BLACK
C	LOCK NUT	1	NYLON+GF	BLACK
B	FEMALE PIN	2	PHOSPHOR BRONZE	6u" GOLD PLATING ALL OVER Ni 60u"
A	BODY	1	NYLON+GF	BLACK
NO	DESCRIPTION	QTY	MATERIAL	PLATING & COLOR

UNLESS OTHERWISE SPECIFIED TOLERANCES

DECIMALS:	ANGLES:
X : ±0.5 X : ±2°	X.X : ±0.3 X.X.X : ±1°
X.XX : ±0.2	

Singatron Enterprise Co., Ltd.
信登企業股份有限公司

CIRCULAR STANDARD SIZE (IP67)
FEMALE CONN. FEMALE 2PIN(10A) LOCK TYPE

PART NO.: ZCT3004-W02496H

CHKD: Harlen SCALE 2:1 UNIT: mm

APVD: Steve SIZE: A3 SHEET: 1 OF 1 REV: A

CUSTOMER COPY