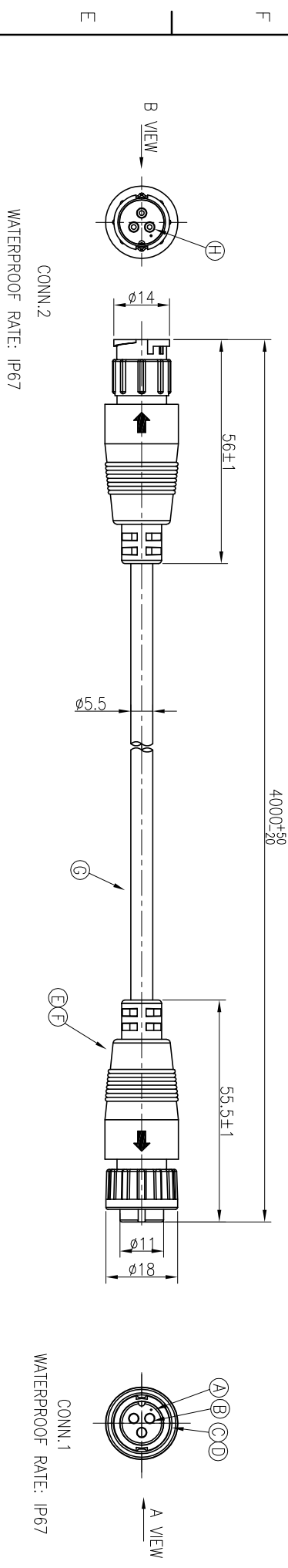
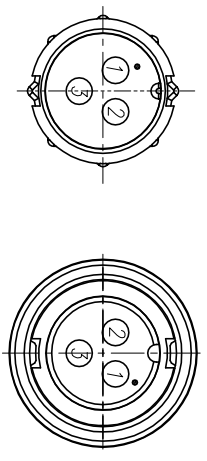


REV.	ECN NO.	OR DESCRIPTION	REVISED	DATE
A	PDR NO.:	SI140417-3A	YF	2014.09.18



3	BLUE	3
2	DRAIN	2
1	BROWN	1
CONN.2		CONN.1
PIN OUT		
CONN.2		CONN.1



- NOTES:
1. WATERPROOF RATE: IP67(WHEN PROPERLY MATED)
IP67: IMMersed IN 1M WATER FOR 30 MINUTES
 2. CURRENT RATING: 10A
 3. SPECIFICATIONS:SEE "CIRCULAR SERIES SPECIFICATIONS".
 4. TO CONFORM TO SINGATRON HAZARDOUS SUBSTANCE FREE SPEC.
 5. GREEN PRODUCT IDENTIFICATION LABEL ON PACKAGING:

G.P. PASS

NO	DESCRIPTION	QTY	MATERIAL	PLATING & COLOR
A	BODY	2	NYLON+GF(U194V-0)	BLACK
B	FEMALE PIN	3	Phosphor Bronze	(1~3)u" GOLD PLATING OVER NICKEL PLATING
C	LOCK NUT	1	NYLON+GF(U194V-0)	BLACK
D	O-RING	1	EPDM	BLACK
E	OVER MOLD	2	PVC	BLACK
F	INNER MOLD	2	TPU	NATURAL
G	CABLE	1	UL2464 20AWG*1P +D+AL+B	BLACK(PVC JACKET)
H	MALE PIN	3	BRASS	(1~3)u" GOLD PLATING OVER NICKEL PLATING

UNLESS OTHERWISE SPECIFIED TOLERANCES

DECIMALS: ANGLES:

X :±0.5 X :±2°
 X.X :±0.3 X.X :±1°
 X.XX :±0.2 X.XX :±1°

TITLE	CIRCULAR STANDARD SIZE (IP67) FEMALE CONN. FEMALE 3 PIN LOCK TYPE
DWN	YF
CHKD	Harlen
APVD	Steve
PART NO. 2CT3004-W03431H	
SCALE 1:1 UNIT: mm	
SIZE: A3 SHEET: 1 OF 1 REV: A	
CUSTOMER COPY	

Singatron Enterprise Co., Ltd.
信登企業股份有限公司