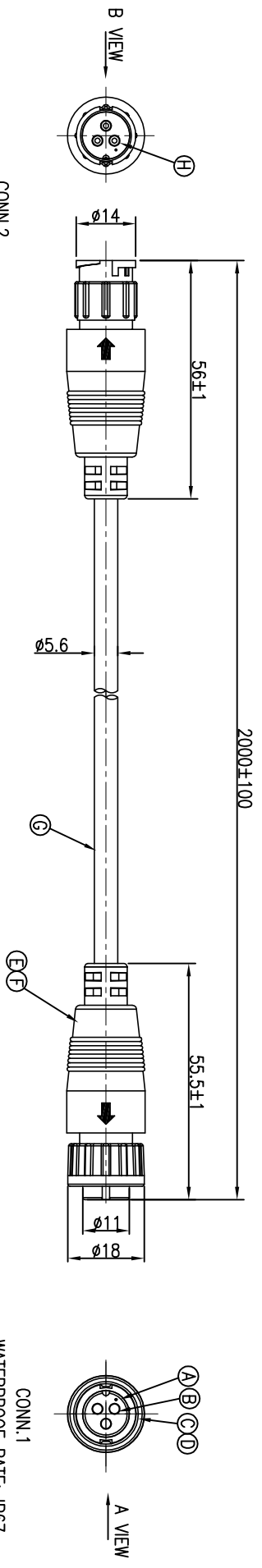
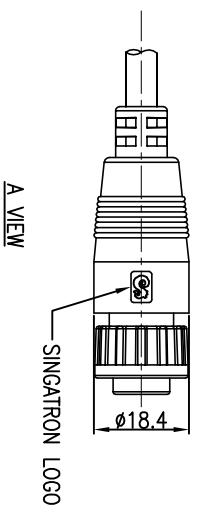
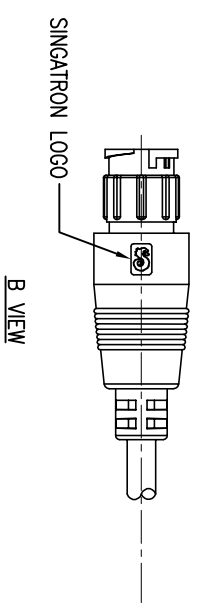


REV	ECN NO OR DESCRIPTION	REVISED	DATE
A	PDR NO.:S140429-5A	YF	2014.04.28

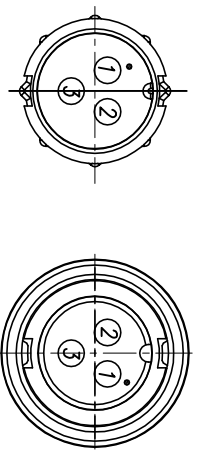


CONN.2
WATERPROOF RATE: IP67

CONN.1
WATERPROOF RATE: IP67



CONN.2	WIRE COLOR	CONN.1
3	YELLOW	3
2	WHITE	2
1	BLACK	1



Pin Assignments
Front View

- NOTES:
1. WATERPROOF RATE: IP67(WHEN PROPERLY MATED)
 2. CURRENT RATING: 10A
 3. SPECIFICATIONS:SEE "CIRCULAR SERIES SPECIFICATIONS".
 4. TO CONFORM TO SINGATRON HAZARDOUS SUBSTANCE FREE SPEC.
 5. GREEN PRODUCT IDENTIFICATION LABEL ON PACKAGING: **G.P.PASS**

NO	DESCRIPTION	QTY	MATERIAL	PLATING & COLOR
A	BODY	2	NYLON+GF	BLACK
B	FEMALE PIN	3	Phosphor Bronze	(1~3)u" GOLD PLATING OVER NICKEL PLATING
C	LOCK NUT	1	NYLON+GF	BLACK
D	O-RING	1	EPDM	BLACK
E	OVER MOLD	2	PVC	BLACK
F	INNER MOLD	2	TPU	NATURAL
G	CABLE	1	UL2464 18AWG*3C+AL	BLACK(PVC JACKET)
H	MALE PIN	3	BRASS	(1~3)u" GOLD PLATING OVER NICKEL PLATING

UNLESS OTHERWISE SPECIFIED TOLERANCES

DECIMALS: ANGLES:

X :±0.5 X :±2°
X.X :±0.3 X.X :±1°
X.XX :±0.2 X.XX :±0.2

Singatron Enterprise Co., Ltd.
信譽企業股份有限公司

TITLE CIRCULAR STANDARD SIZE (IP67)
FEMALE CONN. FEMALE 3 PIN LOCK TYPE

DWN YF PART NO.2CT9004-W03432H

CHKD Harden SCALE 1:1 UNIT: mm

APVD Quon SIZE: A3 SHEET:1 OF 1 REV: A

CUSTOMER COPY