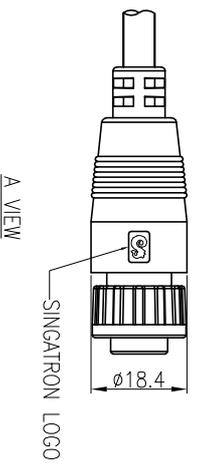
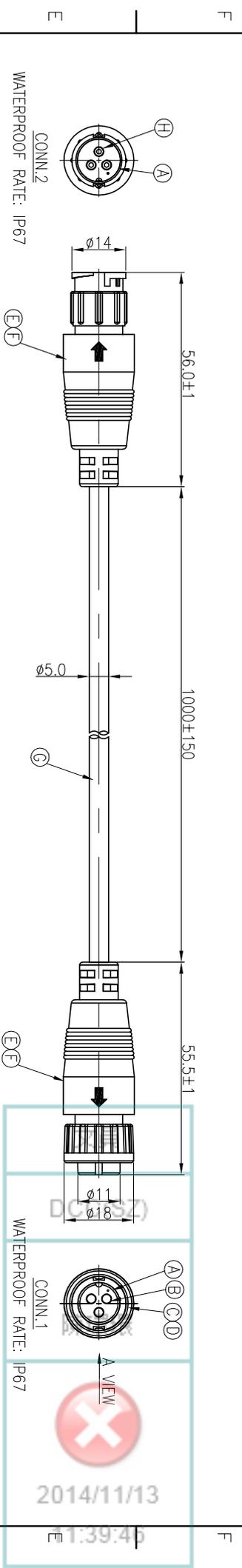
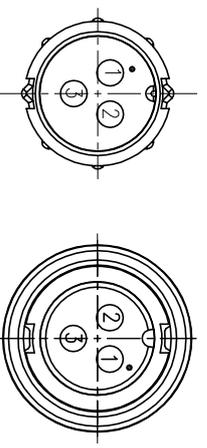


REV.	ECN NO.	OR DESCRIPTION	REVISED	DATE
A	PDR NO.:	T140728-5A	YF	2014.07.30



3	GREEN	3
2	WHITE	2
1	BLACK	1
CONN.2		CONN.1
WIRE COLOR		
PIN OUT		



NOTES:

1. WATERPROOF RATE: IP67
IP67: IMMERSED IN 1M WATER FOR 30 MINUTES
2. CURRENT RATING: 10A
3. SPECIFICATIONS: SEE "CIRCULAR SERIES SPECIFICATIONS".
4. TO CONFORM TO SINGATRON HAZARDOUS SUBSTANCE FREE SPEC.
5. GREEN PRODUCT IDENTIFICATION LABEL ON PACKAGING:

CONN.2		CONN.1	
PIN OUT			
3	GREEN	3	
2	WHITE	2	
1	BLACK	1	

H	MALE PIN	3	BRASS	1u" GOLD PLATED OVER NICKEL PLATING
G	CABLE	1	UL2464 20AWG*3C+ A/My(UV RESISTANT) OD=Ø5.0	BLACK(PVC JACKET)
F	INNER MOLD	2	TPU	NATURAL
E	OVER MOLD	2	PVC	BLACK
D	O-RING	1	EPDM	BLACK
C	LOCK NUT	1	NYLON+33%GF	BLACK
B	FEMALE PIN	3	Phosphor Bronze	6u" GOLD PLATING OVER NICKEL PLATING
A	BODY	2	NYLON+33%GF	BLACK
NO	DESCRIPTION	QTY	MATERIAL	PLATING & COLOR
UNLESS OTHERWISE SPECIFIED TOLERANCES				
Singatron Enterprise Co., Ltd. 				
TITLE: CIRCULAR STANDARD SIZE (IP67)				
FEMALE CONN. TO MALE CONN. SPIN(10A) LOCK TYPE				
DWN	YF	PART NO. 2CT3004-W03438H		
CHKD	JF	SCALE 2:1	UNIT: mm	
APVD	Harlen	SIZE: A3	SHEET: 1 OF 1	PBY: A
CUSTOMER COPY				

1 2 3 4 5 6 7 8