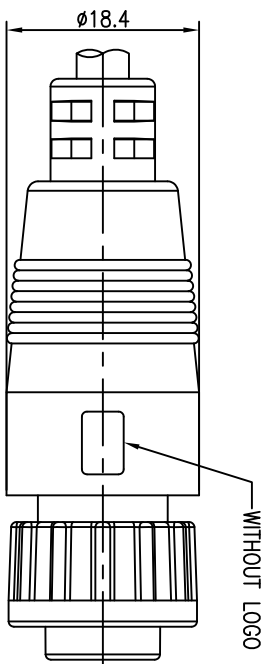
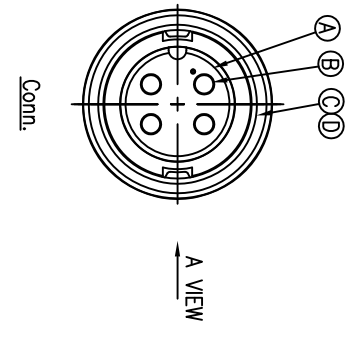
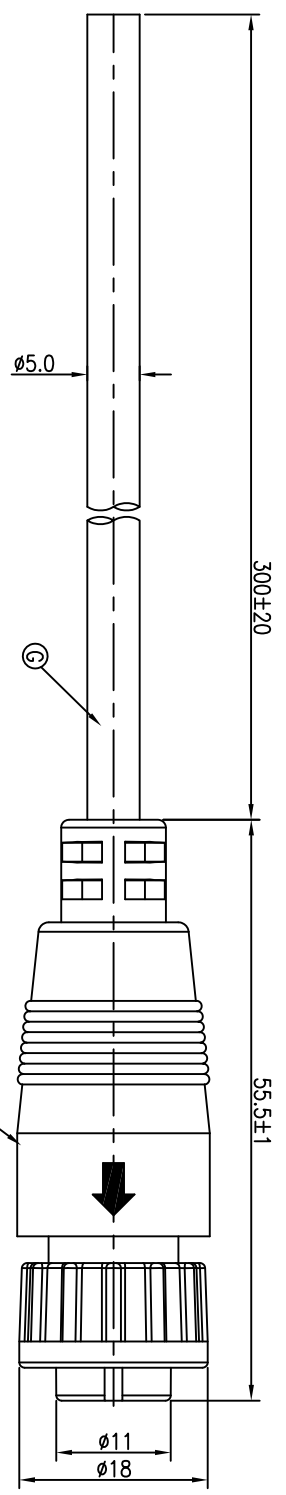
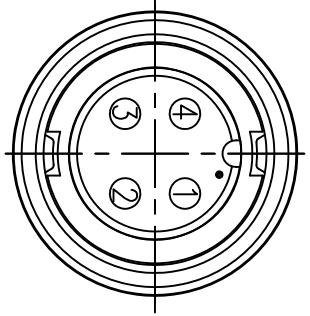


REV.	ECN NO.	OR DESCRIPTION	REVISED	DATE
A	PDR NO.:S100513-2A	Shown	2010.07.20	



BLACK	4
BLUE	3
GREEN	2
RED	1
WIRE COLOR	CONN.
PIN OUT	
CONN.	



- NOTES:
1. WATERPROOF RATE: IP65
  2. CURRENT RATING: 5A
  3. SPECIFICATIONS:SEE "CIRCULAR SERIES SPECIFICATIONS".
  4. TO CONFORM TO SINGATRON HAZARDOUS SUBSTANCE FREE SPEC.
  5. GREEN PRODUCT IDENTIFICATION LABEL ON PACKAGING:

CONN. WATERPROOF RATE: IP65

NO	DESCRIPTION	QTY	MATERIAL	PLATING & COLOR
A	BODY	1	NYLON+GF	BLACK
B	FEMALE PIN	4	PHOSPHOR BRONZE	GOLD PLATING 6U" ALL OVER Ni 60u"
C	LOCK NUT	1	NYLON+GF	BLACK
D	O-RING	1	EPDM	BLACK
E	OVER MOLD	1	PVC	BLACK
F	INNER MOLD	1	TPU	NATURAL
G	CABLE	1	UL2464 24AWG*4C (UV RESISTANT) OD=5.0	BLACK PVC JACKET

UNLESS OTHERWISE SPECIFIED TOLERANCES

DECIMALS:	ANGLES:
X :±0.5	X :±2°
X.X :±0.3	X.X :±1°
X.XX :±0.2	

Singatron Enterprise Co., Ltd.  
信營企業股份有限公司

CIRCULAR STANDARD SIZE (IP65)  
FEMALE CONN. FEMALE 4PIN(SA) LOCK TYPE

Part No. 2CT3004-W04306

CHKD	SKD	SCALE	UNIT	REV.
APVD	Mox	2:1	mm	A

CUSTOMER COPY