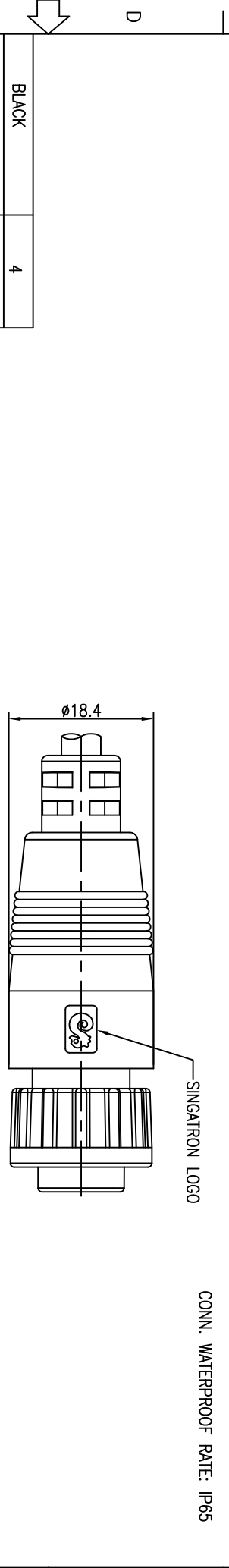
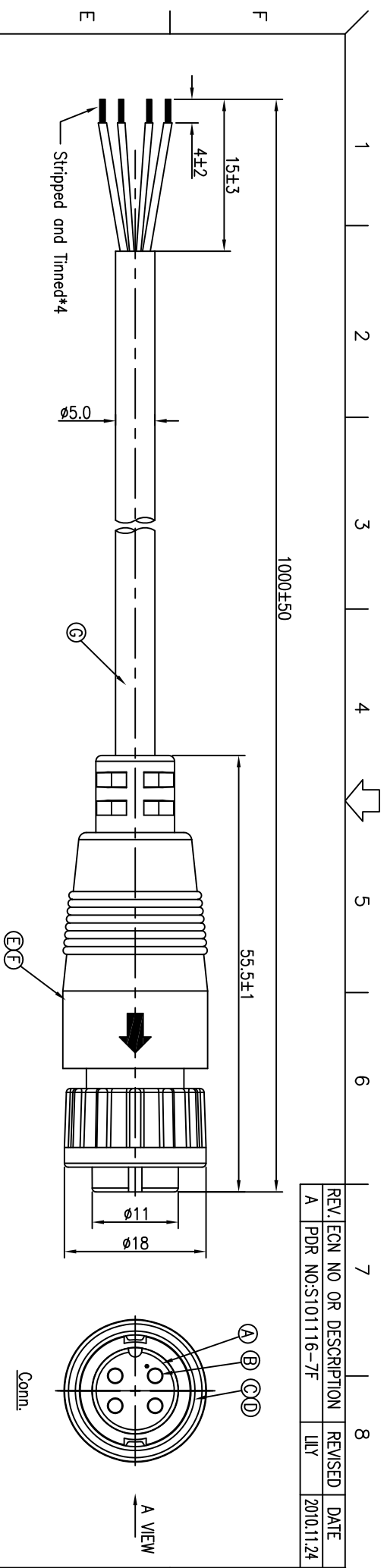


REV.	ECN NO OR DESCRIPTION	REVISED	DATE
A	PDR NO: S101116-7F	LILY	2010.11.24



WIRE COLOR	CONN.
BLACK	4
BLUE	3
GREEN	2
RED	1

PIN OUT
CONN.

- NOTES:
1. WATERPROOF RATE: IP67
IP67: IMMersed IN 1M WATER FOR 30 MINUTES
 2. CURRENT RATING: 5A
 3. SPECIFICATIONS: SEE "CIRCULAR SERIES SPECIFICATIONS".
 4. TO CONFORM TO SINGATRON HAZARDOUS SUBSTANCE FREE SPEC.
 5. GREEN PRODUCT IDENTIFICATION LABEL ON PACKAGING: GREEN PASS

NO	DESCRIPTION	QTY	MATERIAL	PLATING & COLOR
A	BODY	1	NYLON+33%GF	BLACK
B	FEMALE PIN	4	PHOSPHOR BRONZE	GOLD PLATING, 6U" ALL OVER NI 60U"
C	LOCK NUT	1	NYLON+33%GF	BLACK
D	O-RING	1	EPDM	BLACK
E	OVER MOLD	1	PVC	BLACK
F	INNER MOLD	1	TPU	NATURAL
G	CABLE	1	UL2464 24AWG*4C (UV RESISTANT) OD= $\phi 5.0$	BLACK(PVC JACKET)

DECIMALS:	ANGLES:	TITLE	CUSTOMER COPY
X : ± 0.5	X : $\pm 2^\circ$	CIRCULAR STANDARD SIZE (IP67) FEMALE CONN. FEMALE 4PINS(S)	
X.X : ± 0.3	X.X : $\pm 1^\circ$	PART NO. 2CT3004-W04309	
X.XX : ± 0.2		SCALE 2:1 UNIT: mm	
		SIZE: A3 SHEET: 1 OF 1 REV: A	

Pin Assignments
Front View

Singatron Enterprise Co., Ltd.
信登企業股份有限公司

CUSTOMER COPY

文# 06-045-4