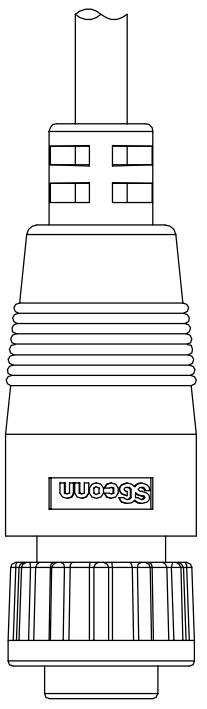
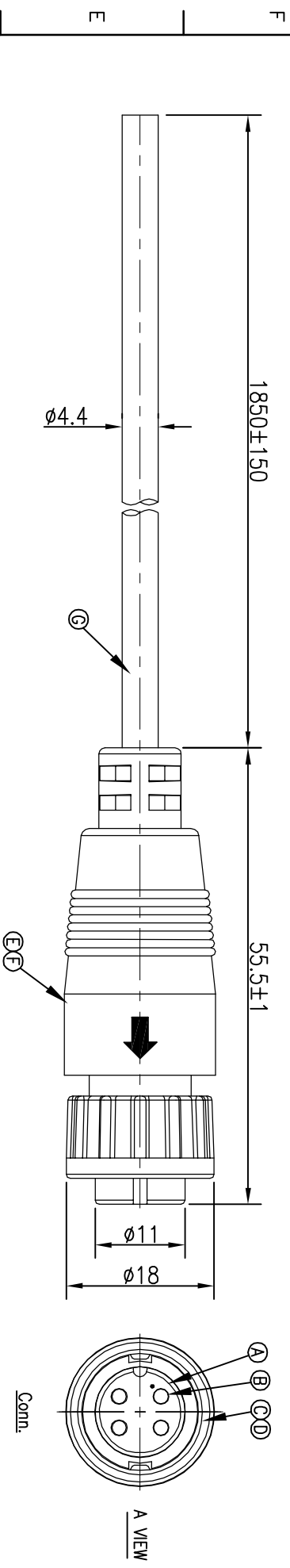
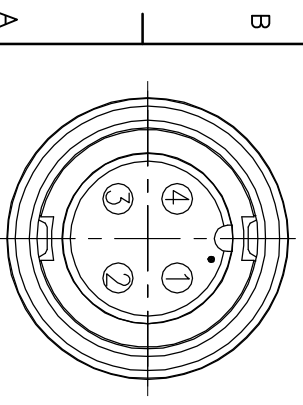


REV.	ECN NO OR DESCRIPTION	REVISED	DATE
A	PDR NO.:T140708-2A	Vicky	2014.10.11



YELLOW	4
RED	3
GREEN	2
WHITE	1
WIRE COLOR	CONN.
PIN OUT	
CONN.	



- NOTES:
- ELECTRICAL CHARACTERISTICS:
 - 1-1 CURRENT RATING: 5 AMPS.
 - 1-2 CONTACT RESISTANCE: 3 Ohm Max.
 - 1-3 INSULATION RESISTANCE: 100 MOhm Min. at 500VDC.
 - 1-4 BREAKDOWN VOLTAGE: 500VAC PER MINUTE.
 - ENVIRONMENTAL:
 - 2-1 OPERATING TEMPERATURE: -20°C TO +80°C.
 - 2-2 SEALING REQUIREMENTS: IP67.
 - LIFE TEST: 1,000 CYCLES MIN..
 - OTHER GENERAL SPEC TO REFER "CIRCULAR SERIES GENERAL SPEC".
 - FOR TECHNICAL DATA REFER TO YOUR LOCAL SINGATRON ELECTRONICS SALES OFFICE.
 - ALL DIMENSIONS ARE NOMINAL FOR REFERENCE ONLY UNLESS OTHERWISE STATED.
 - TO CONFORM TO SINGATRON HAZARDOUS SUBSTANCE FREE SPEC.
 - GREEN PRODUCT IDENTIFICATION LABEL ON PACKAGING:

A VIEW

NO	DESCRIPTION	QTY	MATERIAL	PLATING & COLOR
A	BODY	1	PA66+GF	BLACK
B	FEMALE PIN	4	COPPER ALLOY	GOLD PLATING, 60" ALL OVER NI 60"
C	LOCK NUT	1	PA66+GF	BLACK
D	O-RING	1	EPDM	BLACK
E	OVER MOLD	1	PVC	BLACK
F	INNER MOLD	1	TPU	NATURAL
G	CABLE	1	UL2464 24AWG*4C +AI/My (UV Resistant), OD=Ø4.4	BLACK(PVC JACKET)

DECIMALS:	ANGLES:
X :±0.5	X :±2°
X.X :±0.3	X.X :±1°
X.XX :±0.2	

TITLE	CIRCULAR STANDARD SIZE (IP67)	LOCK TYPE
DWN	Vicky	PART NO.2CT19004-W04361H
CHKD	Harlen	SCALE 2:1 UNIT: mm
APVD	Steve	SIZE: A3 SHEET: 1 OF 1 REV: A

CONN. WATERPROOF RATE: IP67

Conn.

A VIEW

Pin Assignments
Front View