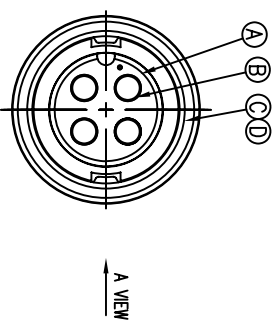
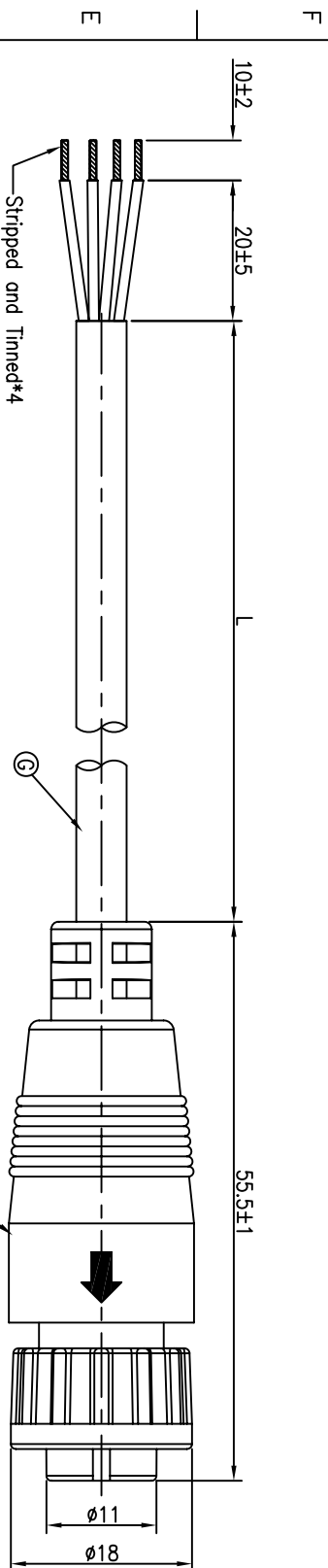
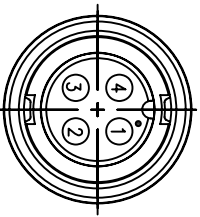


REV.	ECN NO.	OR DESCRIPTION	REVISED	DATE
A		PDR NO:5091113-3B~3E	Harden	2009.12.28

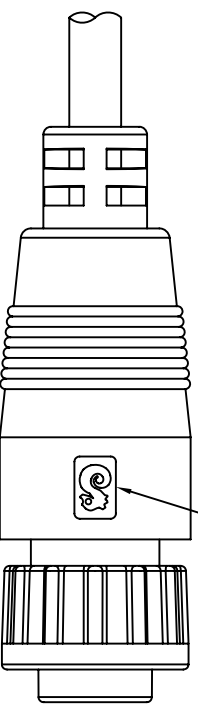


PART NO:	L(mm)	Tolerance
2CT3004-W04405	23000	±500
2CT3004-W04406	17000	±500
2CT3004-W04407	19000	±500
2CT3004-W04408	21000	±500

YELLOW/GREEN		4
BLUE		3
BROWN		2
BLACK		1
WIRE COLOR		CONN.
PIN OUT		



Pin Assignments
Front View



A VIEW

CONN. WATERPROOF RATE: IP67

- NOTES:
1. WATERPROOF RATE: IP67
IP67: IMMERSED IN 1M WATER FOR 30 MINUTES
 2. ELECTRICAL CHARACTERISTICS
TEMPERATURE RANGE: -40°C TO +100°C
CURRENT RATING: 10A
 3. TO CONFORM TO SINGATRON HAZARDOUS SUBSTANCE FREE SPEC.
DIELECTRIC WITHSTANDING VOLTAGE: 1000V AC FOR ONE MINUTE
 4. GREEN PRODUCT IDENTIFICATION LABEL ON PACKAGING:

G	CABLE	1	CCC 60227 IEC53(RW) 0.75mm ² AS/4C+AL(UV) OD=φ7.4	BLACK (PVC JACKET)
F	INNER MOLD	1	TPU	NATURAL
E	OVER MOLD	1	PVC	BLACK
D	O-RING	1	EPDM	BLACK
C	LOCK NUT	1	NYLON+33%GF	BLACK
B	FEMALE PIN	4	Phosphor Bronze	6u" GOLD PLATING OVER NICKEL PLATING
A	BODY	1	NYLON+33%GF	BLACK
NO	DESCRIPTION		MATERIAL	PLATING & COLOR
UNLESS OTHERWISE SPECIFIED TOLERANCES				
Singatron Enterprise Co., Ltd. 信登企業股份有限公司				
TITLE: CIRCULAR STANDARD SIZE (IP67) FEMALE CONN. FEMALE 4PIN(T0A) LOCK TYPE				
DWN	2009.12.30	Harden	PART NO.2CT3004-W04407	
CHKD	2009.12.30	5%	SCALE 2:1	UNIT: mm
APVD	2009.12.30	Max	SIZE: A3	SHEET: 1 OF 1 REV:A

DECIMALS:	ANGLES:
X :±0.5	X :±2°
X.X :±0.3	X.X :±1°
X.XX :±0.2	

CUSTOMER COPY