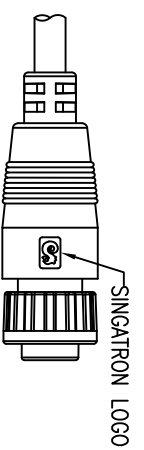
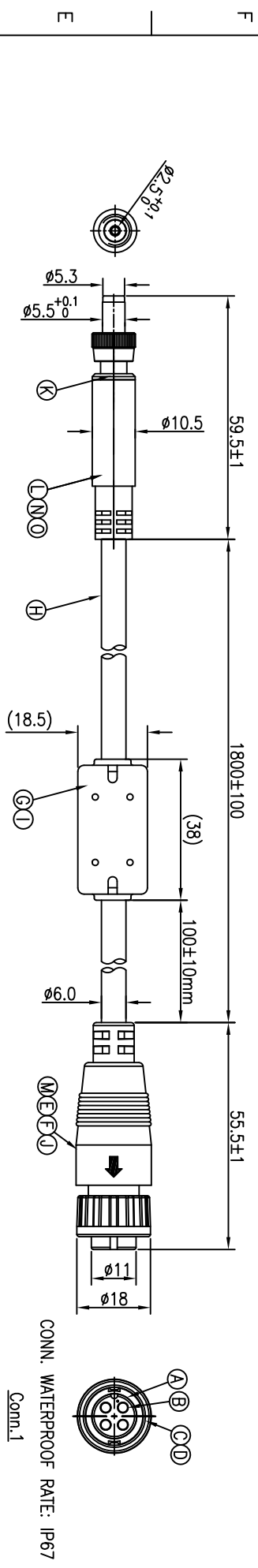
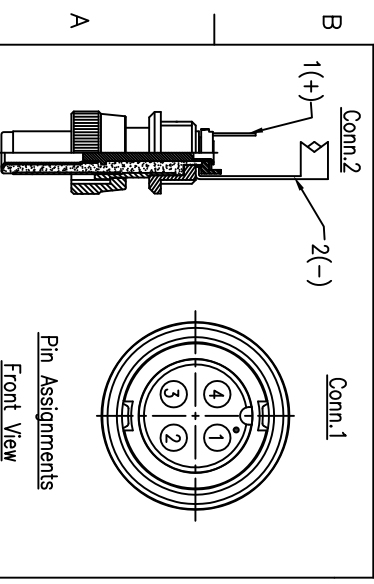


REV.	ECN NO.	OR DESCRIPTION	REVISED	DATE
A	PDR NO. S100910-5A	LILY	2010.12.23	
B	ECR NO.S110314	LILY	2011.04.08	



CONN. WATERPROOF RATE: IP67
Conn.1

DRAIN	4
BLACK	2,3
RED	1
WIRE COLOR	CONN.1
PIN OUT	
Conn.2	Conn.1



- NOTES:
1. WATERPROOF RATE: IP67
IP67: IMMersed IN 1M WATER FOR 30 MINUTES
 2. CURRENT RATING: 10A
 3. TO CONFORM TO SINGATRON HAZARDOUS SUBSTANCE FREE SPEC.
 4. GREEN PRODUCT IDENTIFICATION LABEL ON PACKAGING:

QTY	DESCRIPTION	MATERIAL	PLATING & COLOR
1	OVER MOLD	PVC	BLACK
1	INNER MOLD	LD-PE	NATURAL
1	WIRE	UL1007 20#	BLACK
1	HEAR SHRINK TUBE	φ3.0 L=4 300V 125°	BLACK
1	DC PLUG(5.5X2.5)	BRASS	TIN PLATING
1	HEAR SHRINK TUBE	φ2.0 L=8 300V 125°	BLACK
1	OVER MOLD	PVC	BLACK
1	CABLE	UL2464 16AWG*2C+ D+AL(UV) OD6.0	BLACK(PVC JACKET)
1	CORE	φ14.2*φ8.0*28.5	BLACK
1	INNER MOLD	TPU	NATURAL
1	OVER MOLD	PVC	BLACK
1	O-RING	EPDM	BLACK
1	LOCK NUT	NYLON+33%GF	BLACK
4	FEMALE PIN	Phosphor Bronze	6u" GOLD PLATING OVER NICKEL PLATING
1	BODY	NYLON+33%GF	BLACK

DECIMALS:	ANGLES:
X :±0.5	X :±2
X.X :±0.3	X.X :±1
X.XX :±0.2	

UNLESS OTHERWISE SPECIFIED TOLERANCES

Singatron Enterprise Co., Ltd.
信譽企業股份有限公司

TITLE: CIRCULAR STANDARD SIZE (IP67)
FEMALE CONN. FEMALE 4 PIN(10A) LOCK TYPE

DWN: LILY PART NO.2CT3004-W04419

CHKD: Steve SCALE 1:1 UNIT: mm

APVD: Max SIZE: A3 SHEET: 1 OF 1 REV: B

CUSTOMER COPY