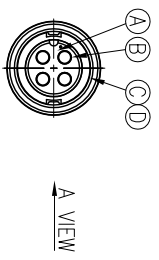
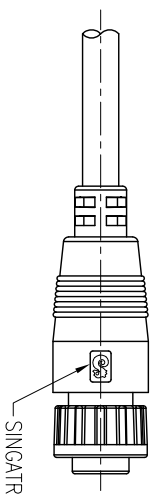
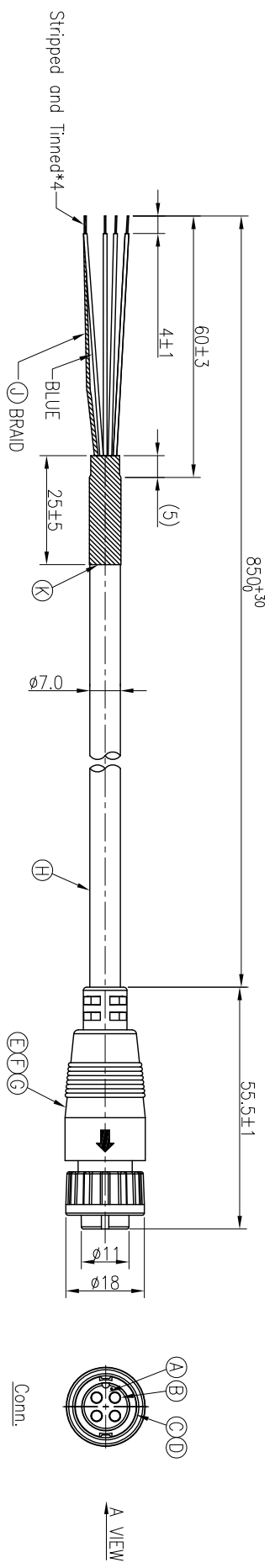
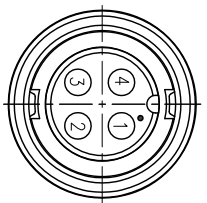


REV	ECN NO OR DESCRIPTION	REVISED	DATE
A	PDR NO.:S121115-11B	JF	2012.11.10



WATERPROOF RATE: IP67

YELLOW	4
BRAID	3
BLUE	2
BLACK	1
RED	CONN.
WIRE COLOR	CONN.
PIN OUT	
CONN.	



Pin Assignments  
Front View

- NOTES:
1. WATERPROOF RATE: IP67
  2. IP67: IMMersed IN 1M WATER FOR 30 MINUTES
  3. CURRENT RATING: 10A
  4. SPECIFICATIONS:SEE "CIRCULAR SERIES SPECIFICATIONS".
  5. TO CONFORM TO SINGATRON HAZARDOUS SUBSTANCE FREE SPEC.
  6. GREEN PRODUCT IDENTIFICATION LABEL ON PACKAGING: **G.P. PASS**

K	TUBE (管拱)	1	Ø8.0 L=25mm	BLACK
J	TUBE (管拱)	1	Ø3.0	BLACK
H	CABLE (管拱)	1	HRPVC 4*0.5mm <sup>2</sup> OD=7.0	BLACK(PVC JACKET)
G	HEAR SHRINK TUBE	4	Ø3.0 300V 125°	BLACK
F	INNER MOLD	1	ABS 765A UL94V-0	NATURAL
E	OVER MOLD	1	PVC	BLACK
D	O-RING	1	EPDM	BLACK
C	LOCK NUT	1	PA66+30%GF	BLACK
B	FEMALE PIN	4	Phosphor Bronze	(1~3)u" GOLD PLATING OVER NICKEL PLATING
A	BODY	1	NYLON66+33%GF	BLACK
NO	DESCRIPTION	QTY	MATERIAL	PLATING & COLOR

UNLESS OTHERWISE SPECIFIED TOLERANCES

DECIMALS: ANGLES:

X :±0.5 X :±2°  
X.X :±0.3 X.X :±1°  
X.XX :±0.2 X.XX :±1'

TITLE		SINGATRON ENTERPRISE CO., LTD.	
CIRCULAR STANDARD SIZE (IP67)		信營企業股份有限公司	
FEMALE CONN. FEMALE 4 PIN LOCK TYPE			
DWN	JF	PART NO.2CT3004-W04435H	
CHKD	Horlen	SCALE 1:1	UNIT: mm
APVD	Steve	SIZE: A3	SHEET:1 OF 1
		REV: A	

CUSTOMER COPY