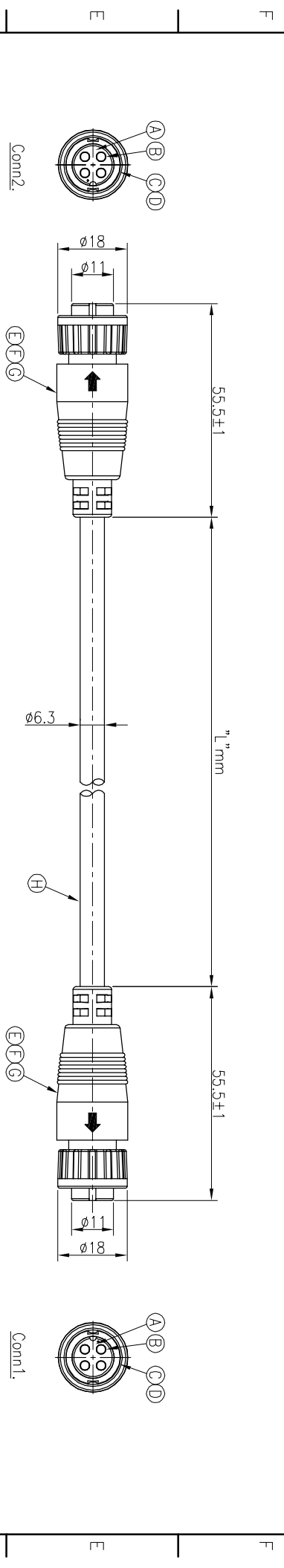


REV.	ECN NO.	OR DESCRIPTION	REVISED	DATE
A	ECN NO.A181001-0		Vicky	2018.10.23

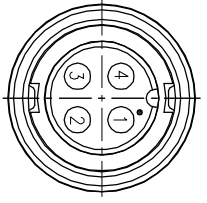


WATERPROOF RATE: IP66

WATERPROOF RATE: IP66

4	YELLOW	4
3	GREEN	3
2	BLUE	2
1	RED	1
CONN2	WIRE COLOR	CONN1
PIN OUT		
CONN1&2		

PART NO	"L" mm
ZCT3004-W04443H	L=3300+150/-0
ZCT3004-W04444H	L=3600+150/-0
ZCT3004-W04445H	L=3900+150/-0
ZCT3004-W04446H	L=4200+200/-0
ZCT3004-W04447H	L=4500+200/-0
ZCT3004-W04448H	L=4800+250/-0
ZCT3004-W04449H	L=5100+250/-0



Pin Assignments
Front View


NOTES:

1. WATERPROOF RATE: IP66
2. CURRENT RATING: 10A
3. SPECIFICATIONS:SEE "CIRCULAR SERIES SPECIFICATIONS".
4. TO CONFORM TO SINGATRON HAZARDOUS SUBSTANCE FREE SPEC.
5. GREEN PRODUCT IDENTIFICATION LABEL ON PACKAGING:

G.P. PASS

A VIEW

SINGATRON LOGO

H	CABLE (规格)	1	4*0.5mm ² OD=6.3	BLACK(PVC JACKET)
G	HEAR SHRINK TUBE	8	Ø3.0 300V 125°	BLACK
F	INNER MOLD	2	ABS 765A UL94V-0	NATURAL
E	OVER MOLD	2	PVC	BLACK
D	O-RING	2	EPDM	BLACK
C	LOCK NUT	2	PA66+30%GF	BLACK
B	FEMALE PIN	8	Phosphor Bronze	(1~3)u" GOLD PLATING OVER NICKEL PLATING
A	BODY	2	PA66+30%GF	BLACK
NO	DESCRIPTION	QTY	MATERIAL	PLATING & COLOR
UNLESS OTHERWISE SPECIFIED TOLERANCES				
 Singatron Enterprise Co., Ltd. 信管企業股份有限公司				
TITLE CIRCULAR STANDARD SIZE (IP67) FEMALE CONN. FEMALE 4 PIN LOCK TYPE				
DWG Vicky PART NO.ZCT3004-W04443~9H				
CHKD JF SCALE 1:1 UNIT: mm				
APVD William SIZE: A3 SHEET: 1 OF 1 REV: A				
CUSTOMER COPY				