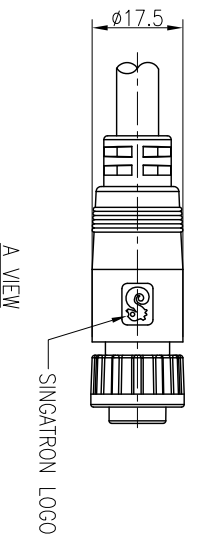
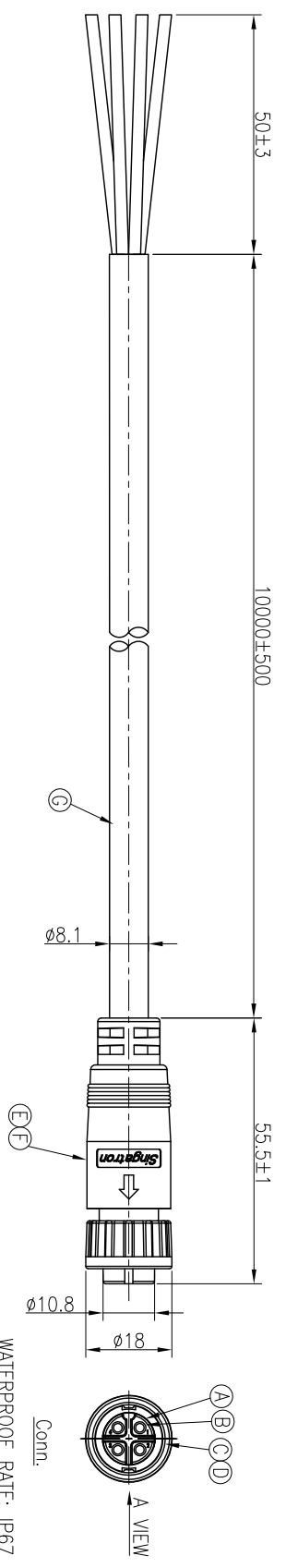
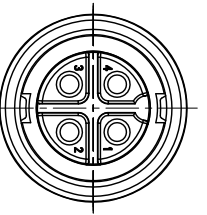


REV.	ECN NO. OR DESCRIPTION	REVISED	DATE
A	PDR NO.:S150203-6A	Vicky	2015.01.20



BROWN	4
BLUE	3
BLACK	2
GREEN/YELLOW	1
WIRE COLOR	CONN.
PIN OUT	



Pin Assignments
Front View

- NOTES:
- ELECTRICAL CHARACTERISTICS:
 - 1-1 CURRENT RATING: 10 AMPS
 - 1-2 CONTACT RESISTANCE: 1 Ohm Max.
 - 1-3 INSULATION RESISTANCE: 30 Mohm Min. at 500VDC
 - 1-4 BREAKDOWN VOLTAGE: 1000 VAC PER MINUTE
 - ENVIRONMENTAL:
 - 2-1 OPERATING TEMPERATURE: -20° TO +80°
 - 2-2 SEALING REQUIREMENTS: IP67
 - LIFE TEST: 1,000 CYCLES MIN.
 - OTHER GENERAL SPEC.: TO REFER "CIRCULAR SERIES GENERAL SPEC".
 - FOR TECHNICAL DATA REFER TO YOUR LOCAL SINGATRON ELECTRONICS SALES OFFICE
 - ALL DIMENSIONS ARE NOMINAL FOR REFERENCE ONLY UNLESS OTHERWISE STATED
 - TO CONFORM TO SINGATRON HAZARDOUS SUBSTANCE FREE SPEC
 - GREEN PRODUCT IDENTIFICATION LABEL ON PACKAGINGSEAL **GR-PASS**

G	CABLE	1	245 IEC 57 (YZW) 4*1.0mm ² OD:8.1	BLACK(RUBBER JACKET)
F	INNER MOLD	1	TPU	NATURAL
E	OVER MOLD	1	PVC	BLACK
D	O-RING	1	EPDM	BLACK
C	LOCK NUT	1	PA66+GF	BLACK
B	FEMALE PIN	4	COPPER ALLOY	(1~3.0μ" GOLD PLATING OVER NICKEL PLATING
A	BODY	1	PA66+GF	BLACK
NO	DESCRIPTION	QTY	MATERIAL	PLATING & COLOR
UNLESS OTHERWISE SPECIFIED TOLERANCES				
Singatron Enterprise Co., Ltd. 信營企業股分有限公司				
TITLE: CIRCULAR STANDARD SIZE (IP67) FEMALE CONN. FEMALE 4PIN(10A) LOCK TYPE				
DECIMALS:	ANGLES:			
X : ±0.5	X : ±2°			
X.X : ±0.3	X.X : ±1°			
X.XX : ±0.2				
CUSTOMER COPY				