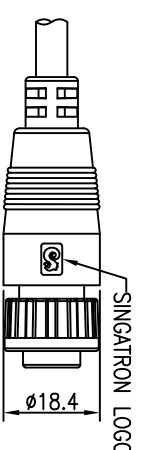
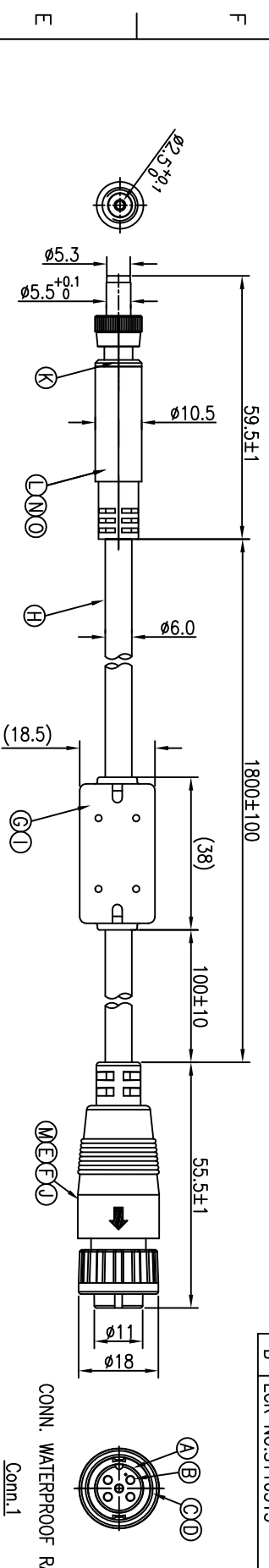
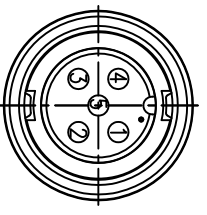


REV.	ECN NO. OR DESCRIPTION	REVISED	DATE
A	PDR NO. S100910-6A	LILY	2010.12.23
B	ECR NO.S110315	LILY	2011.04.08



2(-)	BLACK	5
1(+)	RED	2,3,4
CONN.2 WIRE COLOR		1
PIN OUT		CONN.1



- NOTES:
1. WATERPROOF RATE: IP67  
IP67: IMMERSED IN 1M WATER FOR 30 MINUTES
  2. CURRENT RATING: 5A
  3. TO CONFORM TO SINGATRON HAZARDOUS SUBSTANCE FREE SPEC.
  4. GREEN PRODUCT IDENTIFICATION LABEL ON PACKAGING:

0	OVER MOLD	1	PVC	BLACK
N	INNER MOLD	1	LD-PE	NATURAL
M	WIRE	2	UL1007 24#	BLACK
L	HEAR SHRINK TUBE	1	Ø3.0 L=4 300V 125°	BLACK
K	DC PLUG(5.5X2.5)	1	BRASS	TIN PLATING
J	HEAR SHRINK TUBE	1	Ø2.0 L=10 300V 125°	BLACK
I	OVER MOLD	1	PVC	BLACK
H	CABLE	1	UL2464 16AWG*2C+ D+AL(UV) OD6.0	BLACK(PVC JACKET)
G	CORE	1	Ø14.2*Ø8.0*28.5	BLACK
F	INNER MOLD	1	TPU	NATURAL
E	OVER MOLD	1	PVC	BLACK
D	O-RING	1	EPDM	BLACK
C	LOCK NUT	1	NYLON+33%GF	BLACK
B	FEMALE PIN	5	Phosphor Bronze	6u" GOLD PLATING OVER NICKEL PLATING
A	BODY	1	NYLON+33%GF	BLACK
NO	DESCRIPTION	QTY	MATERIAL	PLATING & COLOR

UNLESS OTHERWISE SPECIFIED TOLERANCES

DECIMALS: ANGLES: SINGATRON ENTERPRISE CO., LTD.

X.XX ±0.5 X ±2° PART NO. 2CT3004-W05311

X.XX ±0.3 X.X ±1° SCALE 1:1 UNIT: mm

X.XX ±0.2 X.XX ±0.2 SIZE: A3 SHEET: 1 OF 1 REV: B

CUSTOMER COPY