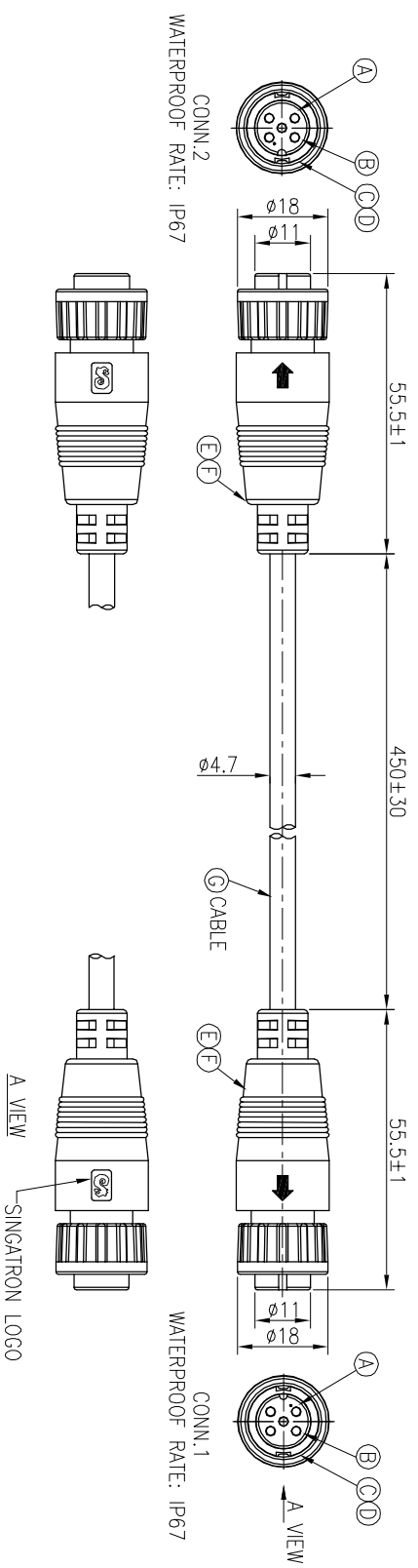
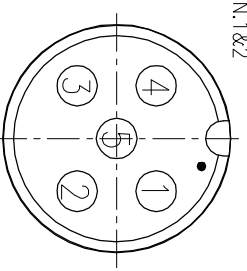


REV.	ECN NO OR DESCRIPTION	REVISED	DATE
A	PDR NO.:T200312-3A	MF	2020.05.09



5	RED	5
4	WHITE	4
3	BLACK	3
2	BLUE	2
1	BROWN	1
CONN.1 WIRE COLOR		CONN.2
PIN OUT		



Pin Assignments
Front View

- NOTES:
1. WATERPROOF RATE: IP67
 2. CABLE JACKET MATERIAL: BLACK PVC

- IP67: IMMERSED IN 1M WATER FOR 30 MINUTES
- TEST CONDITIONS:
- 3-1. CONDUCTANCE RESISTANCE: 3 Ohm MAX
 - 3-2. HI-POT TEST 500VAC 5mA(1SEC)
 - 3-3. INSULATION RESISTANCE: 100MΩ MIN. BY 500V DC
 - 3-4. OTHER GENERAL SPEC. TO REFER "CIRCULAR SERIES SPEC".
4. SPECIFICATIONS: SEE "CIRCULAR SERIES SPECIFICATIONS".
5. TO CONFORM TO SINGATRON HAZARDOUS SUBSTANCE FREE SPEC.
6. GREEN PRODUCT IDENTIFICATION LABEL ON PACKAGING:

G	CABLE	1	PVC UL2464 24#*5C+A UV RESISTANT OD=4.7	BLACK
F	INNER MOLD	2	TPU	NATURAL
E	OVER MOLD	2	PVC	BLACK
D	O-RING	2	EPDM	BLACK
C	LOCK NUT	2	PA66+GF	BLACK
B	FEMALE PIN	10	Phosphor Bronze	6u" GOLD PLATED OVER NICKEL PLATING
A	BODY	2	PA66+GF	BLACK
UNLESS OTHERWISE SPECIFIED TOLERANCES		QTY	MATERIAL	PLATING & COLOR
DECIMALS:		ANGLES:		
X	:±0.5	X	:±2°	
X.X	:±0.3	X.X	:±1°	
X.XX	:±0.2			
TITLE		Singatron Enterprise Co., Ltd. 信登企業股份有限公司		
CIRCULAR STANDARD SIZE (180° IP67)		CIRCULAR STANDARD SIZE (180° IP67)		
FEMALE CONN. FEMALE (05) PIN/LOCK TYPE		FEMALE CONN. FEMALE (05) PIN/LOCK TYPE		
DWN	MF	PART NO.: 2CT3004-W05331H		
CHKD	Cerry	SCALE 2:1	UNIT: mm	
APVD	William	SIZE: A3	SHEET: 1 OF 1	REV: A

CUSTOMER COPY