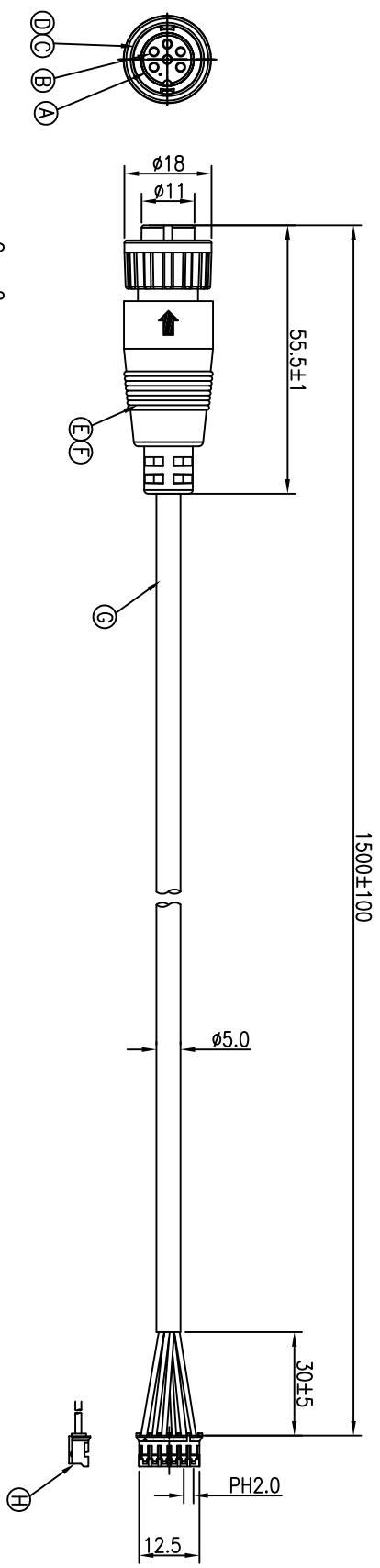


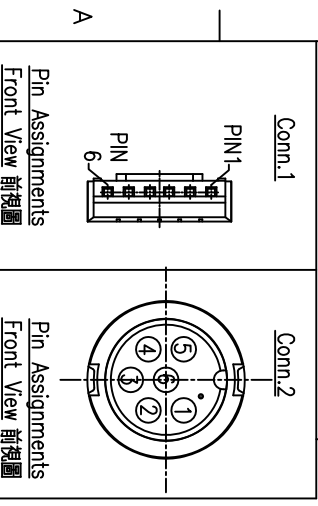
REV.	ECN NO OR DESCRIPTION	REVISED	DATE
A	PDR NO:1100901-7A	Horlen	2010.11.22



Conn.2  
WATERPROOF RATE: IP67

Conn.1

1	WHITE	6
2	BLUE	5
3	GREEN	4
4	YELLOW	3
5	RED	2
6	BLACK	1
Conn.1 WIRE COLOR		
Conn.2		



- NOTES:
1. WATERPROOF RATE: IP67  
IP67: IMMersed IN 1M WATER FOR 30 MINUTES
  2. ELECTRICAL CHARACTERISTICS  
CURRENT RATING: 5A
  3. SPECIFICATIONS:SEE "CIRCULAR SERIES SPECIFICATIONS".
  4. TO CONFORM TO SINGATRON HAZARDOUS SUBSTANCE FREE SPEC.
  5. GREEN PRODUCT IDENTIFICATION LABEL ON PACKAGING: G.P. PASS

H	CONNECTOR	6	PHOSPHOR BRONZE	TINNED
		1	NYLON66 UJ.94V-0	WHITE
G	CABLE	1	UL2464 24AWG*6C +AL(UV) OD5.0	BLACK(PVC JACKET)
F	INNER MOLD	1	TPU	NATURAL
E	OVER MOLD	2	PVC	BLACK
D	O-RING	1	EPDM	BLACK
C	LOCK NUT	1	NYLON+GF	BLACK
B	FEMALE PIN	6	PHOSPHOR BRONZE	6u" GOLD PLATING OVER NICKEL PLATING
A	BODY	1	NYLON+GF	BLACK
NO	DESCRIPTION	QTY	MATERIAL	PLATING & COLOR

UNLESS OTHERWISE SPECIFIED TOLERANCES

DECIMALS:	ANGLES:
X : ±0.5	X : ±2°
X.X : ±0.3	X.X : ±1'
X.XX : ±0.2	

Singatron Enterprise Co., Ltd.  
信音企业股份有限公司

CIRCULAR STANDARD SIZE (IP67/LOCK TYPE)  
F CONN. F PIN 6 PIN(5A)

TITLE: PART NO. 2CT3004-W06305  
DWN: 2010.12.30  
CHKD: 2010.12.30  
APVD: 2010.12.30

SCALE: 1:1  
UNIT: mm  
SHEET: 1 OF 1  
REV: A

CUSTOMER COPY