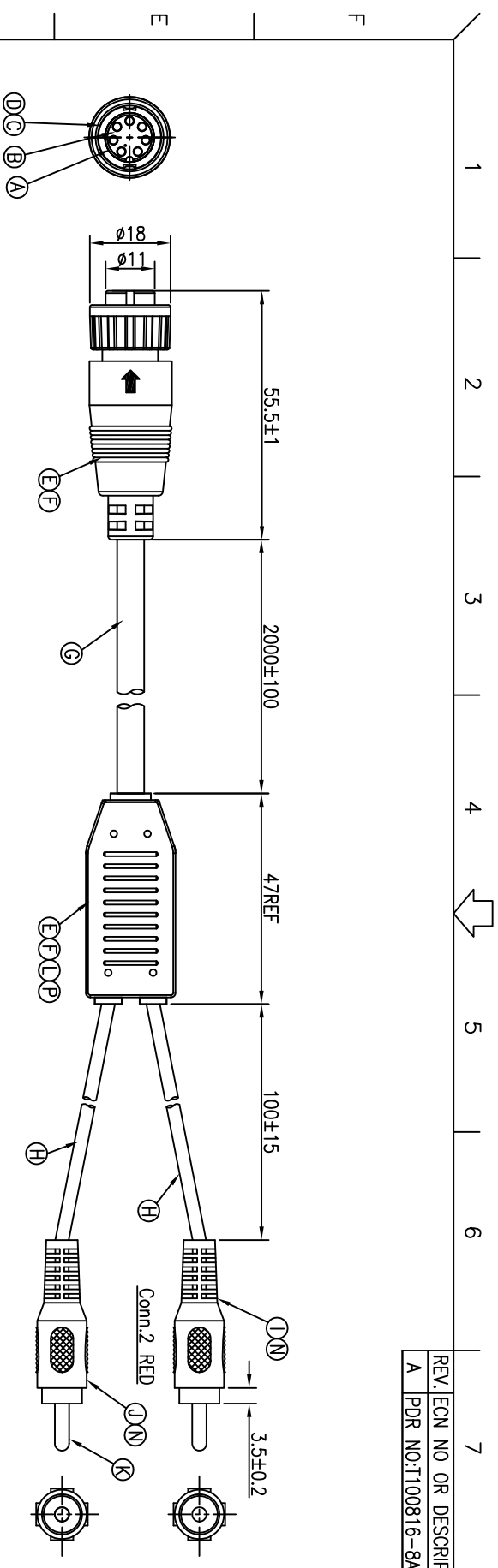


REV.	ECN NO OR DESCRIPTION	REVISED	DATE
A	PDR NO:T100816-8A	Harlan	2011.04.26



7	DRAIN	NC	NC	NC
6	BROWN	NC	SPRAL	2
5	ORANGE	NC	WHITE	1
4	YELLOW	WHITE	1	NC
3	RED	SPRAL	2	NC
2	N/C	NC	NC	NC
1	N/C	NC	NC	NC

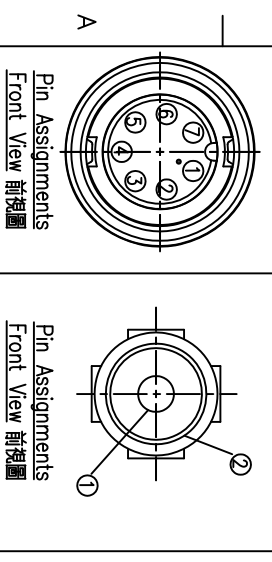
Conn.1	WIRE COLOR	WIRE COLOR	Conn.2	WIRE COLOR	Conn.3	WIRE COLOR
PIN OUT						



Audio Cable RCA  
8 51961 00303 2  
Made in China

NOTES:

1. WATERPROOF RATE: IP67
2. ELECTRICAL CHARACTERISTICS CURRENT RATING: 5A
3. SPECIFICATIONS:SEE "CIRCULAR SERIES SPECIFICATIONS".
4. TO CONFORM TO SINGATRON HAZARDOUS SUBSTANCE FREE SPEC.
5. GREEN PRODUCT IDENTIFICATION LABEL ON PACKAGING:



P	HEAR SHRINK TUBE LABEL	2	Ø3.5 300V 125°	BLACK
O	INNER MOLD	2	2"1.437" LABEL	WHITE
N	HEAR SHRINK TUBE	1	LD-PE	NATURAL
M	HEAR SHRINK TUBE	4	Ø1.5 300V 125°	BLACK
L	HEAR SHRINK TUBE	4	Ø2.0 600V 125°	BLACK
K	PLUG	2	RCA PLUG	WHITE(PLASTIC)
J	OVER MOLD	1	PVC	WHITE
I	OVER MOLD	1	PVC	RED
H	CABLE	1	UL1185 26AWG*1C+S OD3.0	BLACK(PVC JACKET)
G	CABLE	1	UL2464 24AWG*4C +D+AL(UV) OD6.0	BLACK(PVC JACKET)
F	INNER MOLD	1	TPU	NATURAL
E	OVER MOLD	1	PVC	BLACK
D	O-RING	1	EPDM	BLACK
C	LOCK NUT	1	NYLON+GF	BLACK
B	FEMALE PIN	7	PHOSPHOR BRONZE	6u" GOLD PLATING OVER NICKEL PLATING
A	BODY	1	NYLON+GF	BLACK
NO	DESCRIPTION	QTY	MATERIAL	PLATING & COLOR

UNLESS OTHERWISE SPECIFIED TOLERANCES

DECIMALS: ANGLES:

X :±0.5 X :±2°  
X.X :±0.3 X.X :±1'  
X.XX :±0.2

Singatron Enterprise Co., Ltd.  
信音企業股份有限公司

CIRCULAR STANDARD SIZE (P67/LOOK TYPE)  
F CONN. F PIN 7 PIN(5)

Part No. 2CT3004-W07303-AC

Scale 1:1 Unit: mm

Size: A3 Sheet: 1 OF 1 REV: A

CUSTOMER COPY