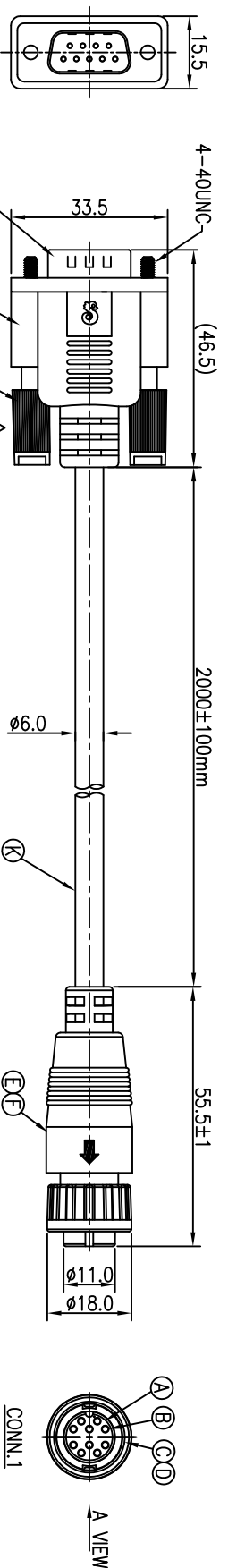


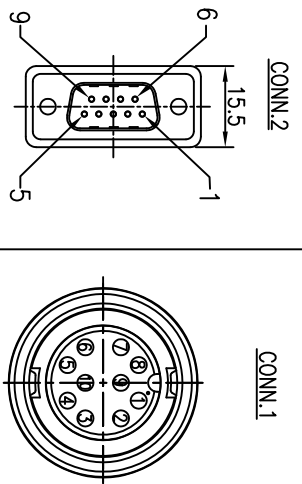
REV.	ECN NO OR DESCRIPTION	REVISED	DATE
A	PDR NO.:T090120-4A	Steve	2009.04.28
B	ECN NO.:S120425	Shawn	2012.04.19



DB 9 PIN MALE
NON-WATERPROOF

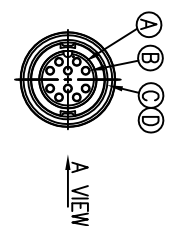
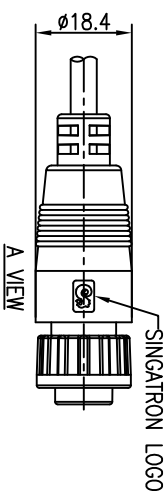
WATERPROOF RATE: IP67

SHIELD	DRAIN	10
9	GRAY	9
8	PURPLE	8
7	BLUE	7
6	GREEN	6
5	YELLOW	5
4	ORANGE	4
3	RED	3
2	BROWN	2
1	BLACK	1
CONN.2	WIRE COLOR	CONN.1
	PIN OUT	



NOTES:

1. WATERPROOF RATE: IP67
IP67: IMMersed IN 1M WATER FOR 30 MINUTES
2. CURRENT RATING: 2A
3. SPECIFICATIONS:SEE "CIRCULAR SERIES SPECIFICATIONS".
4. TO CONFORM TO SINGATRON HAZARDOUS SUBSTANCE FREE SPEC.
5. GREEN PRODUCT IDENTIFICATION LABEL ON PACKAGING:



K	CABLE	1	UL2464 26#*9C+D+AL+BRAID, PVC JACKET	BLACK
J	INNER MOLD	1	LD-PE	NATURAL
I	OVER MOLD	1	PVC(45P)	BLACK
H	SCREW	1	4#-40 NICKEL PLATED	N/A
G	CONNECTOR	1	DB 9 PIN MALE	BLACK
F	INNER MOLD	1	TPU	NATURAL
E	OVER MOLD	1	PVC	BLACK
D	O-RING	1	EPDM	BLACK
C	LOCK NUT	1	NYLON+33%GF	BLACK
B	FEMALE PIN	10	Phosphor Bronze	6u" GOLD PLATING OVER NICKEL PLATING
A	BODY	1	NYLON+33%GF	BLACK
NO	DESCRIPTION	QTY	MATERIAL	PLATING & COLOR

UNLESS OTHERWISE SPECIFIED TOLERANCES

DECIMALS:	ANGLES:
X :±0.5	X :±2°
X.X :±0.3	X.X :±1°
X.XX :±0.2	

TITLE: CIRCULAR STANDARD SIZE (IP67)
FEMALE CONN. FEMALE TOPIN TO DB9 MALE

CHKD	SCALE	UNIT	REV.
DWN	1:1	mm	B
APVD	A3	SHEET:1 OF 1	

CUSTOMER COPY

Singatron Enterprise Co., Ltd.
信音企業股份有限公司