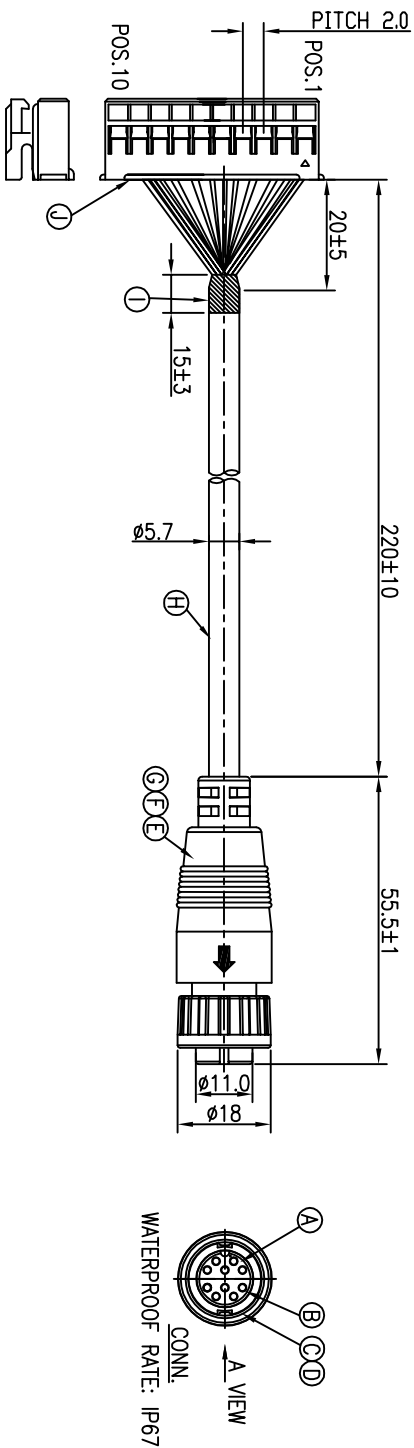
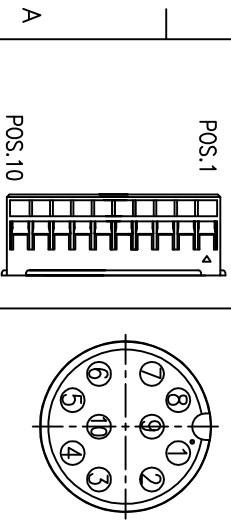


REV.	ECN NO OR DESCRIPTION	REVISED	DATE
A	PDR NO.:T190708-10A	JAY	2020.06.29



10	ORANGE	10
9	BLACK	9
8	RED	8
7	PINK	7
6	GREY	6
5	YELLOW	5
4	GREEN	4
3	WHITE	3
2	BLUE	2
1	BROWN	1
CONN. 1	WIRE COLOR	CONN. 1
PIN OUT		
CONN.2		CONN.1



NOTES:

1. WATERPROOF RATE: IP67
2. TEST CONDITIONS: IP67: IMMersed IN 1M WATER FOR 30 MINUTES
3. SPECIFICATIONS:SEE "CIRCULAR SERIES SPECIFICATIONS".
4. TO CONFORM TO SINGATRON HAZARDOUS SUBSTANCE FREE SPEC.
5. GREEN PRODUCT IDENTIFICATION LABEL ON PACKAGING: [G.P. 2545]

J	CONNECTOR(TTY)	1	HSG:JU2008HNO-10	WHITE
I	HEAR SHRINK TUBE	10	TER:JU2008TP0-2A	TIN-PLATED
H	CABLE	1	UL2464 26AWG*10C+ A/My OD5.7mm	BLACK (PVC JACKET)
G	HEAT SHRINK TUBE	10	Ø1.5 300V 125'	BLACK
F	INNER MOLD	1	PVC	NATURAL
E	OVER MOLD	1	TPU	BLACK
D	O-RING	1	EPDM	BLACK
C	LOCK NUT	1	PA66+30%GF	BLACK
B	FEMALE PIN	10	Phosphor Bronze	6u" GOLD PLATING OVER NICKEL PLATING
A	BODY	1	NYLON66+33%GF	BLACK
NO	DESCRIPTION	QTY	MATERIAL	PLATING & COLOR

DECIMALS:	ANGLES:	TITLE	SCALE	SHEET	REV.
* :±0.5	X :±2'	CIRCULAR STANDARD SIZE (180' IP67) FEMALE CONN. FEMALE TO PIN/LOCK TYPE	1:1	1 OF 1	A
XX :±0.3	XX :±1'	PART NO.2CT3004-W10240H	mm		
XXX :±0.2		APVD William			