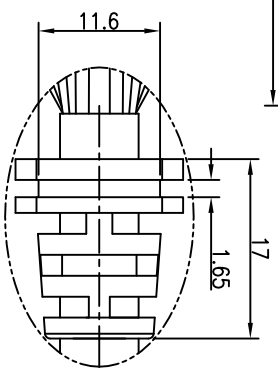
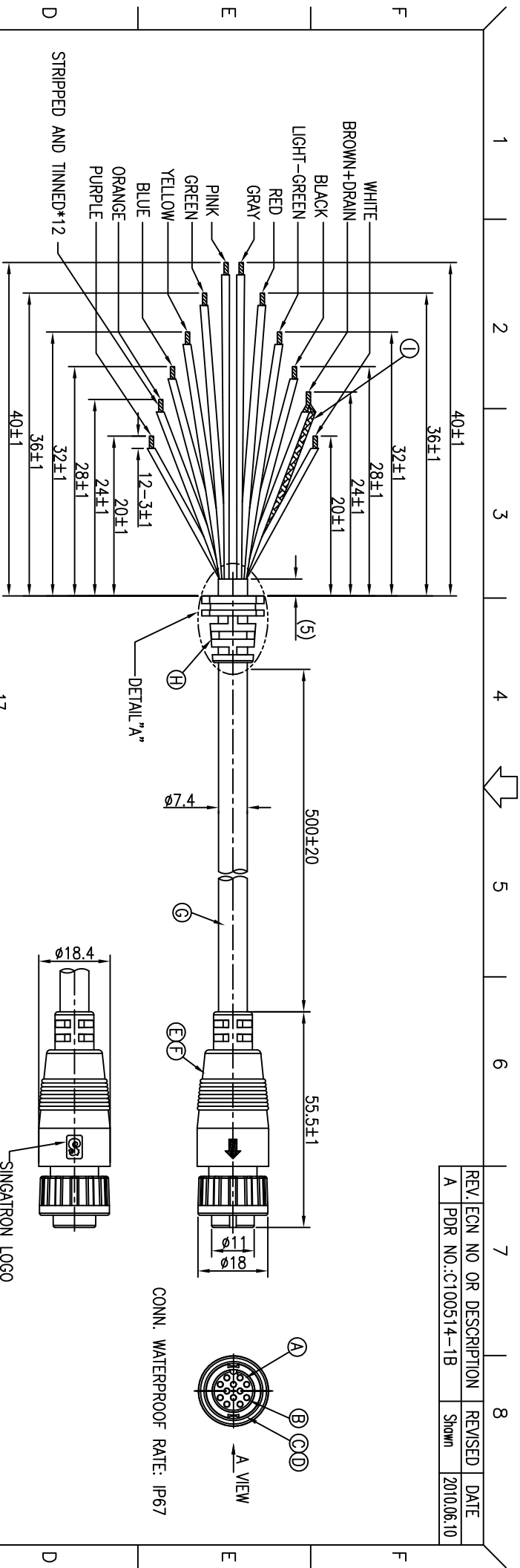
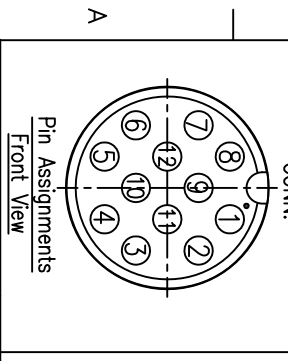


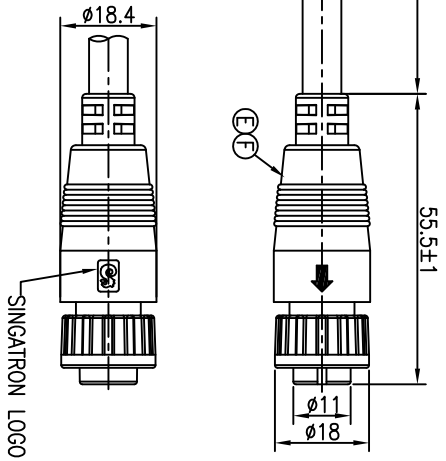
REV. A	ECN NO. C100514-1B	OR DESCRIPTION	REVISED	DATE
			Shown	2010.06.10



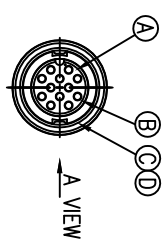
12	PINK
11	GRAY
10	GREEN
9	RED
8	YELLOW
7	LIGHT-GREEN
6	BLUE
5	BLACK
4	ORANGE
3	BROWN+DRAIN
2	PURPLE
1	WHITE
CONN. WIRE COLOR	
PIN OUT	
CONN.	



- NOTES:
1. WATERPROOF RATE: IP67  
IP67: IMMERSED IN 1M WATER FOR 30 MINUTES
  2. CURRENT RATING: 2A
  3. SPECIFICATIONS: SEE "CIRCULAR SERIES SPECIFICATIONS".
  4. TO CONFORM TO SINGATRON HAZARDOUS SUBSTANCE FREE SPEC.
  5. GREEN PRODUCT IDENTIFICATION LABEL ON PACKAGING:



CONN. WATERPROOF RATE: IP67



I	HEAT SHRINKABLE TUBING	1	Ø1.0(1.25".300V) L=21	BLACK
H	SR	1	PVC	BLACK
G	CABLE	1	UL2464 26#*12C+AL +D+B OD=Ø7.4(VV)	BLACK (PVC JACKET)
F	INNER MOLD	1	TPU	NATURAL
E	OVER MOLD	1	PVC	BLACK
D	O-RING	1	EPDM	BLACK
C	LOCK NUT	1	NYLON+GF	BLACK
B	FEMALE PIN		Phosphor Bronze	6u" GOLD PLATING OVER NICKEL PLATING
A	BODY	1	NYLON+GF	BLACK
NO	DESCRIPTION	QTY	MATERIAL	PLATING & COLOR
UNLESS OTHERWISE SPECIFIED TOLERANCES				
Singatron Enterprise Co., Ltd. 信亨企業股份有限公司				
TITLE: CIRCULAR STANDARD SIZE (180° P67) TYPE				
DWG: FEMALE CONN. FEMALE 12 PIN/LOCK				
PART NO. 2CT3004-W12204				
CHKD: Steve SCALE 2:1 UNIT: mm				
APVD: Max SIZE: A3 SHEET: 1 OF 1 REV: A				
CUSTOMER COPY				