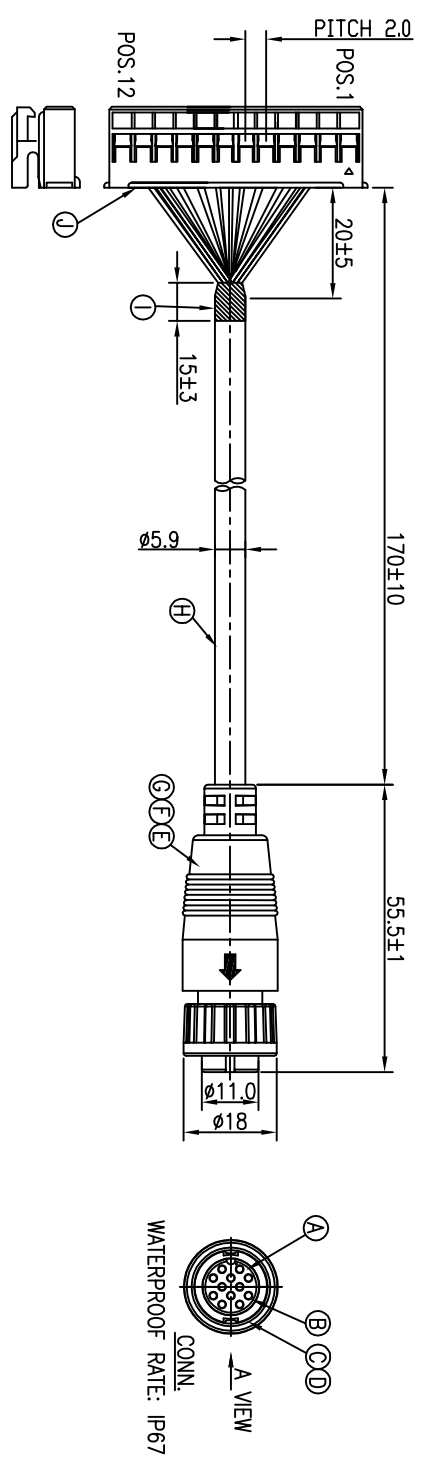
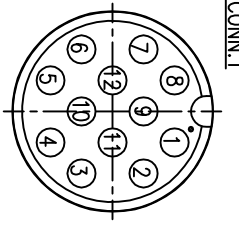


REV.	ECN NO OR DESCRIPTION	REVISED	DATE
A	PDR NO.:T190708-7A	JAY	2020.06.29



12	LIGHT GREEN	12
11	PURPLE	11
10	ORANGE	10
9	BLACK	9
8	RED	8
7	PINK	7
6	GREY	6
5	YELLOW	5
4	GREEN	4
3	WHITE	3
2	BLUE	2
1	BROWN	1
CONN. 1	WIRE COLOR	CONN. 1
CONN. 2	PIN OUT	



NOTES:

1. WATERPROOF RATE: IP67
2. TEST CONDITIONS:
2-1. CONDUCT RESISTANCE: 3 Ohm Max.
2-2. INSULATION RESISTANCE: 100M Ohm MIN. BY 500 VDC
2-3. HI-POT TEST 500VAC, 5mA (1 SEC)
3. SPECIFICATIONS: SEE "CIRCULAR SERIES SPECIFICATIONS".
4. TO CONFORM TO SINGATRON HAZARDOUS SUBSTANCE FREE SPEC.
5. GREEN PRODUCT IDENTIFICATION LABEL ON PACKAGING: [GPP 2545]

J	CONNECTOR (TYU)	1	HSG-TU2008HNO-12	WHITE
I	HEAR SHRINK TUBE	12	TER-TU2008TP0-2A	TIN-PLATED
H	CABLE	1	UL2464 26AWG*12C+ A/My 0D5.9mm	BLACK (PVC JACKET)
G	HEAT SHRINK TUBE	12	Ø1.5 300V 12S	BLACK
F	INNER MOLD	1	PVC	NATURAL
E	OVER MOLD	1	TPU	BLACK
D	O-RING	1	EPDM	BLACK
C	LOCK NUT	1	PA66+30%GF	BLACK
B	FEMALE PIN	12	Phosphor Bronze	6u" GOLD PLATING OVER NICKEL PLATING
A	BODY	1	NYLON66+33%GF	BLACK
NO	DESCRIPTION	QTY	MATERIAL	PLATING & COLOR
UNLESS OTHERWISE SPECIFIED TOLERANCES				
 Singatron Enterprise Co., Ltd. 信登企業股份有限公司				
DECIMALS:	ANGLES:	TITLE		
* :±0.5	X :±2°	CIRCULAR STANDARD SIZE (180° IP67) FEMALE CONN. FEMALE 12 PIN/LOCK TYPE		
XX :±0.3	XX :±1°	PART NO. 2CT13004-W122226H		
XXX :±0.2		CHKD Cary SCALE 1:1 UNIT: mm		
		APVD William SIZE: A3 SHEET: 1 OF 1 REV: A		
CUSTOMER COPY				