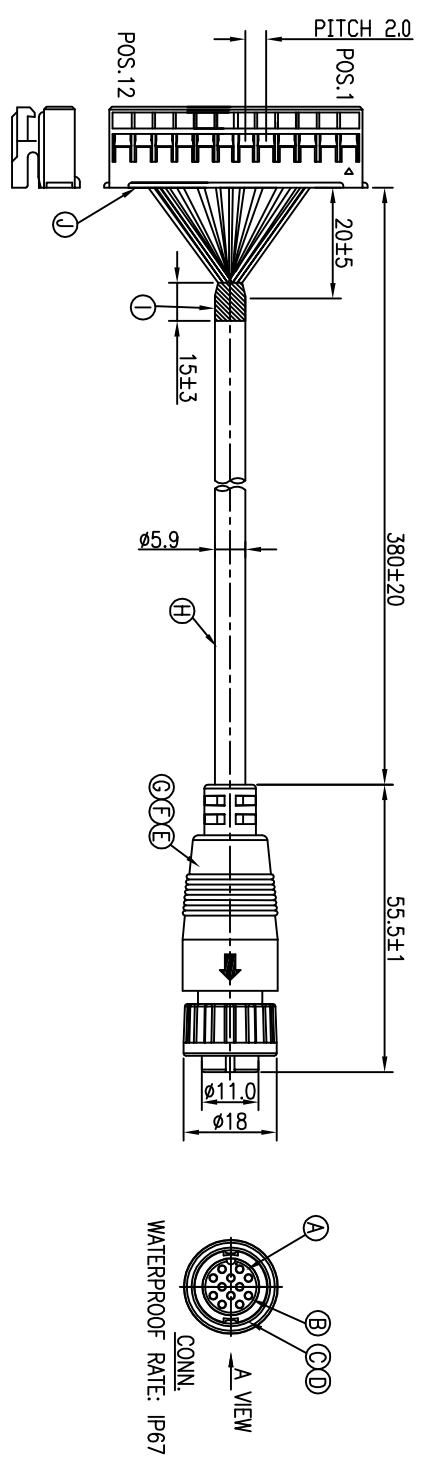


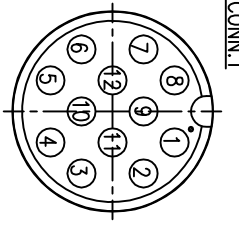
REV.	ECN NO OR DESCRIPTION	REVISED	DATE
A	PDR NO.:T190708-8A	JAY	2020.06.29



12	LIGHT GREEN	12
11	PURPLE	11
10	ORANGE	10
9	BLACK	9
8	RED	8
7	PINK	7
6	GREY	6
5	YELLOW	5
4	GREEN	4
3	WHITE	3
2	BLUE	2
1	BROWN	1
CONN. 1	WIRE COLOR	CONN. 1
PIN OUT		

J	CONNECTOR(TTYU)	1	HSG:JU20008HNO-12	WHITE
I	HEAR SHRINK TUBE	12	TER:JU20087PO-2A	TIN-PLATED
H	CABLE	1	UL2464 26AWG*12C+ A/My 0D5.9mm	BLACK (PVC JACKET)
G	HEAT SHRINK TUBE	12	Ø1.5 300V 12S	BLACK
F	INNER MOLD	1	PVC	NATURAL
E	OVER MOLD	1	TPU	BLACK
D	O-RING	1	EPDM	BLACK
C	LOCK NUT	1	PA66+30%GF	BLACK
B	FEMALE PIN	12	Phosphor Bronze	6u" GOLD PLATING OVER NICKEL PLATING
A	BODY	1	NYLON66+33%GF	BLACK

NO	DESCRIPTION	QTY	MATERIAL	PLATING & COLOR
UNLESS OTHERWISE SPECIFIED TOLERANCES				
 新加坡企业有限公司 Singatron Enterprise Co., Ltd.				
TITLE: CIRCULAR STANDARD SIZE (180° IP67)				
DECIMALS: ANGLES: X :±0.5 X :±.2				
X.X :±0.3 X.X :±.1				
X.XX :±0.2				
DWN JAY PRT NO.2CT13004-W12227H CHKD Cary SCALE 1:1 UNIT: mm APVD William SIZE: A3 SHEET:1 OF 1 REV: A CUSTOMER COPY				



NOTES:

1. WATERPROOF RATE: IP67
2. TEST CONDITIONS: IP67: IMMersed IN 1M WATER FOR 30 MINUTES
3. TEST CONDITIONS: IP67: IMMersed IN 1M WATER FOR 30 MINUTES
4. TO CONFORM TO SINGATRON HAZARDOUS SUBSTANCE FREE SPEC.
5. GREEN PRODUCT IDENTIFICATION LABEL ON PACKAGING: [GPP 2AAS]