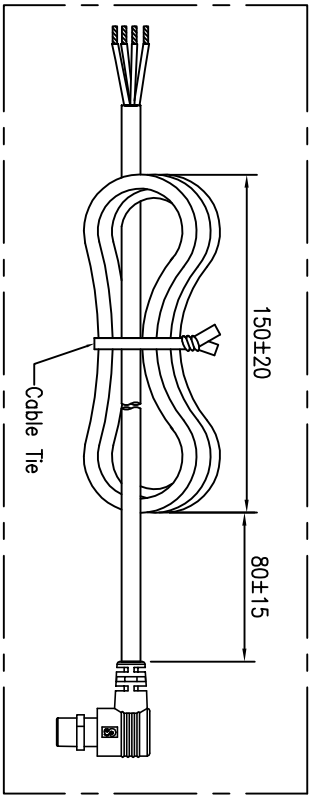
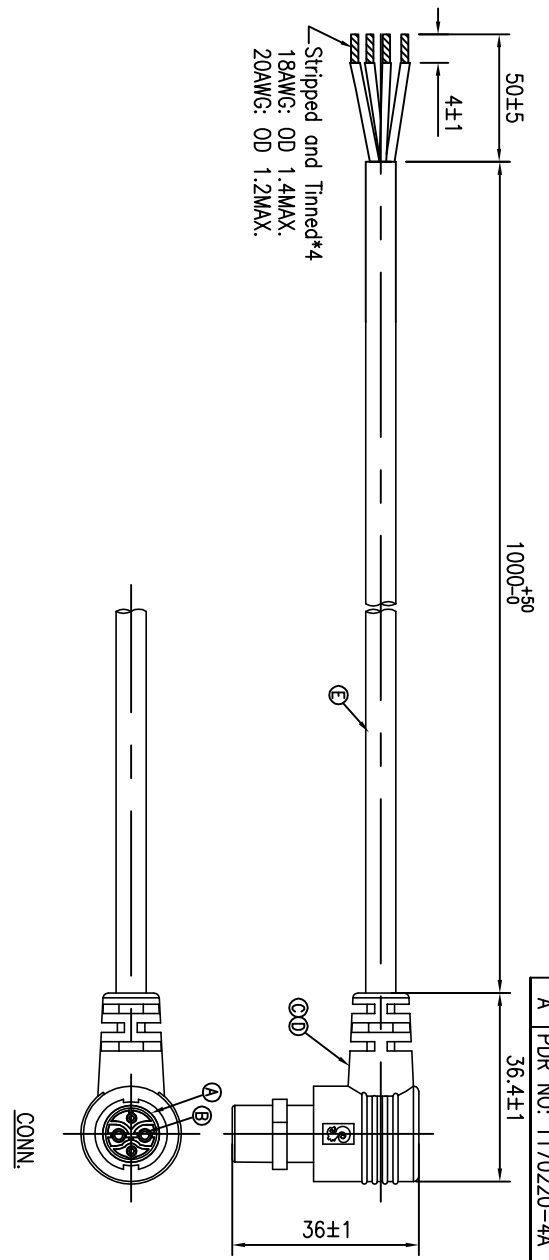
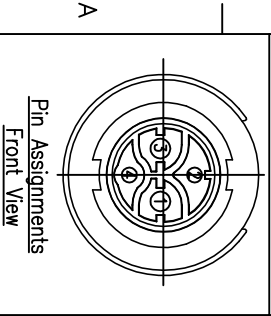


REV.	ECN NO.	OR DESCRIPTION	REVISED	DATE
A	PDR NO.: T170220-4A	Yang		2017.07.07



BROWN(20#)	4
WHITE(18#)	3
BLUE(20#)	2
BLACK(18#)	1
WIRE COLOR	CONN.
PIN OUT	



- NOTES:
- ELECTRICAL CHARACTERISTICS
TEMPERATURE RANGE: -20°C TO +80°C
CURRENT RATING: 5+10A
 - TO CONFORM TO SINGATRON HAZARDOUS SUBSTANCE FREE SPEC.
 - GREEN PRODUCT IDENTIFICATION LABEL ON PACKAGING: G.P. PASS

NO	DESCRIPTION	QTY	MATERIAL	PLATING & COLOR
E	CABLE	1	UL2464 18AWG*2C+ 20#*2C+1 OD7.3 (UV RESISTANT)	BLACK (PVC JACKET)
D	INNER MOLD	1	PVC	NATURAL
C	OVER MOLD	1	PVC	BLACK
B	MALE PIN	4	BRASS	GOLD PLATING OVER NICKEL PLATING
A	BODY	1	PA66+GF	BLACK

UNLESS OTHERWISE SPECIFIED TOLERANCES

DECIMALS: ANGLES:

X :±0.5 X :±2
X.X :±0.3 X.X :±1'
X.XX :±0.2

Singatron Enterprise Co., Ltd.
信亨企業股份有限公司

CIRCULAR STANDARD SIZE (90°)
FEMALE CONN. MALE 2+2PIN(5+10A) LOCK TYPE

DWN Yang PART NO. 2CT9010-W04800H
CHKD Harlen SCALE 1:1 UNIT: mm
APVD Steve SIZE: A3 SHEET: 1 OF 1 REV: A

CUSTOMER COPY