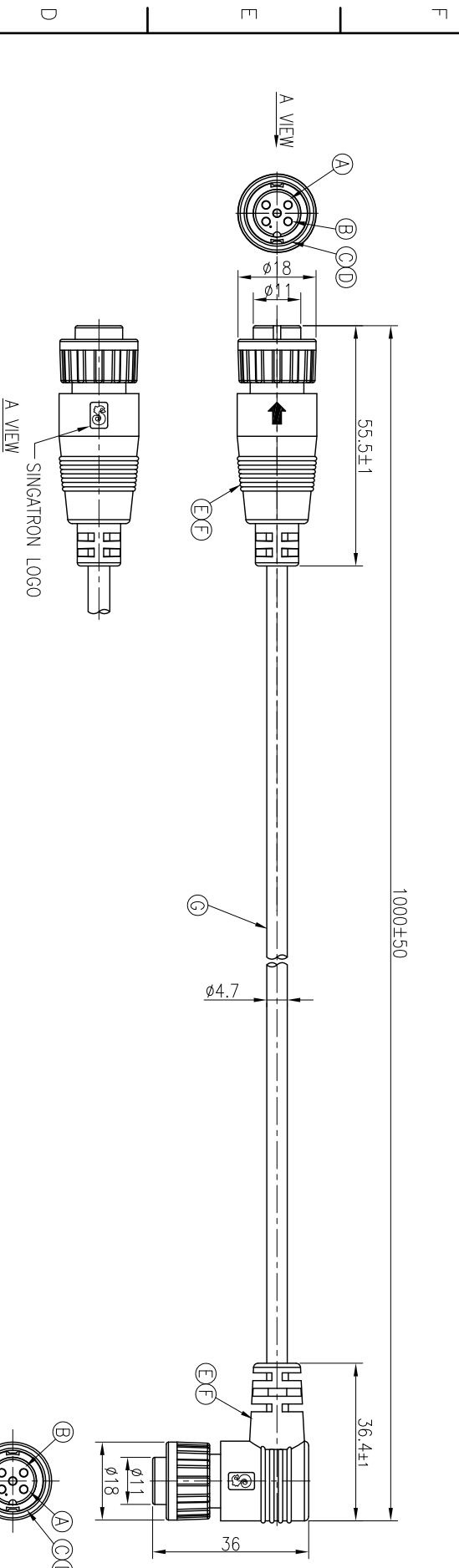


REV:	ECN NO OR DESCRIPTION	REVISED	DATE
A	PDR NO.:T130125-5A	James-Ga	2013.04.24

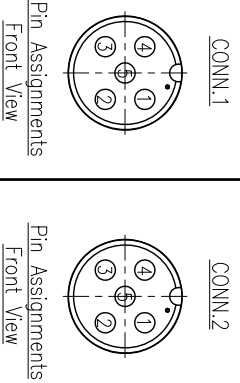


CONN. WATERPROOF RATE: IP67

CONN. WATERPROOF RATE: IP67

5	Red	5
4	White	4
3	Black	3
2	Blue	2
1	Brown	1
CONN.1		CONN.2
WIRE COLOR		
PIN OUT		

- NOTES:
1. WATERPROOF RATE: IP67
  2. CURRENT RATING: 5A
  3. SPECIFICATIONS:SEE "CIRCULAR SERIES SPECIFICATIONS."
  4. TO CONFORM TO SINGATRON HAZARDOUS SUBSTANCE FREE SPEC.
  5. GREEN PRODUCT IDENTIFICATION LABEL ON PACKAGING: **GR PASS**



5	Red	5
4	White	4
3	Black	3
2	Blue	2
1	Brown	1
CONN.1		CONN.2
WIRE COLOR		
PIN OUT		

G	CABLE	1	UL2464 24AWG*5C+ A/My(Uv Resistant), OD=φ4.7	BLACK(PVC JACKET)
F	INNER MOLD	2	TPU	NATURAL
E	OVER MOLD	2	PVC	BLACK
D	O-RING	2	EPDM	BLACK
C	LOCK NUT	2	NYLON+GF	BLACK
B	FEMALE PIN	10	Phosphor Bronze	6u" GOLD PLATED OVER NICKEL PLATING
A	BODY	2	NYLON+GF	BLACK
NO	DESCRIPTION	QTY	MATERIAL	PLATING & COLOR
UNLESS OTHERWISE SPECIFIED TOLERANCES				
DECIMALS: ANGLES:				
X	:±0.5	X	:±2°	
XX	:±0.3	XX	:±1°	
XXX	:±0.2			
TITLE: Singatron Enterprise Co., Ltd. 信亨企業股份有限公司				
CIRCULAR STANDARD SIZE (90° IP67)				
FEMALE CONN. FEMALE 5 PIN/LOCK TYPE				
DMN	James-Ga	PART NO.	2CT13010-W05310H	
CHKD	Harlec	SCALE	2:1	UNIT: mm
APVD	Quan	SIZE: A3	SHEET: 1 OF 1	REV: A
CUSTOMER COPY				