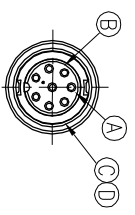
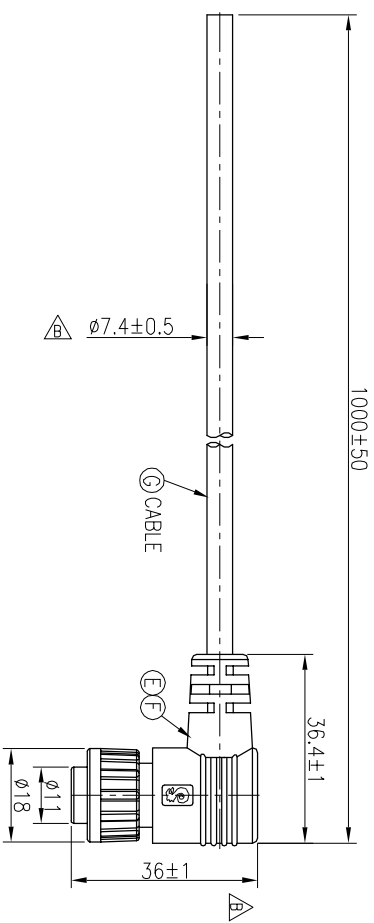
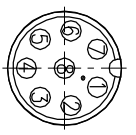


REV.	ECN NO OR DESCRIPTION	REVISED	DATE
A	PDR NO.:A190710-2A	Jr	2019.09.12
B	ECN NO.:S202004-C18	RZ	2020.04.27



WATERPROOF RATE: IP67  
CONN. 1

8	GREY
7	BROWN
6	GREEN
5	BLACK
4	BLUE
3	WHITE
2	YELLOW
1	RED
CONN. 1	WIRE COLOR
CONN. 1	



Pin Assignments  
Front View

- NOTES:
1. WATERPROOF RATE: IP67  
IP67: IMMERSED IN 1M WATER FOR 30 MINUTES  
CABLE JACKET MATERIAL: BLACK PVC
  2. TEST CONDITIONS:
    - 2-1. CONDUCTANCE RESISTANCE: 3 Ohm MAX
    - 2-2. HI-POT TEST 1000VAC/10A, 500VAC/5A OR 2A 5mA(1SEC)
    - 2-3. INSULATION RESISTANCE: 100MΩ MIN. BY 500V DC
    - 2-4. OTHER GENERAL SPEC. TO REFER "CIRCULAR SERIES SPEC".
  3. SPECIFICATIONS:SEE "CIRCULAR SERIES SPECIFICATIONS".
  4. TO CONFORM TO SINGATRON HAZARDOUS SUBSTANCE FREE SPEC.
  5. GREEN PRODUCT IDENTIFICATION LABEL ON PACKAGING:

G	CABLE	1	UL2464 22AWG*6C+22AWG*1P+AL	BLACK
F	INNER MOLD	1	TPU	NATURAL
E	OVER MOLD	1	PVC	BLACK
D	O-RING	1	EPDM	BLACK
C	LOCK NUT	1	NYLON+GF	BLACK
B	FEMALE PIN	8	Phosphor Bronze	6u" GOLD PLATED OVER NICKEL PLATING
A	BODY	1	NYLON+GF	BLACK
NO	DESCRIPTION	QTY	MATERIAL	PLATING & COLOR

UNLESS OTHERWISE SPECIFIED TOLERANCES

Singatron Enterprise Co., Ltd.  
信譽企業股份有限公司

DECIMALS:	ANGLES:	TITLE	CIRCULAR STANDARD SIZE (90° IP67)
X :±0.5	X :±2°	DMN	RZ
XX :±0.3	XX :±1°	CHKD	Cerry
X.XX :±0.2		APVD	William

PART NO. 2CT3010-W08315H  
SCALE 2:1 UNIT: mm  
SIZE: A3 SHEET: 1 OF 1 REV: B  
CUSTOMER COPY