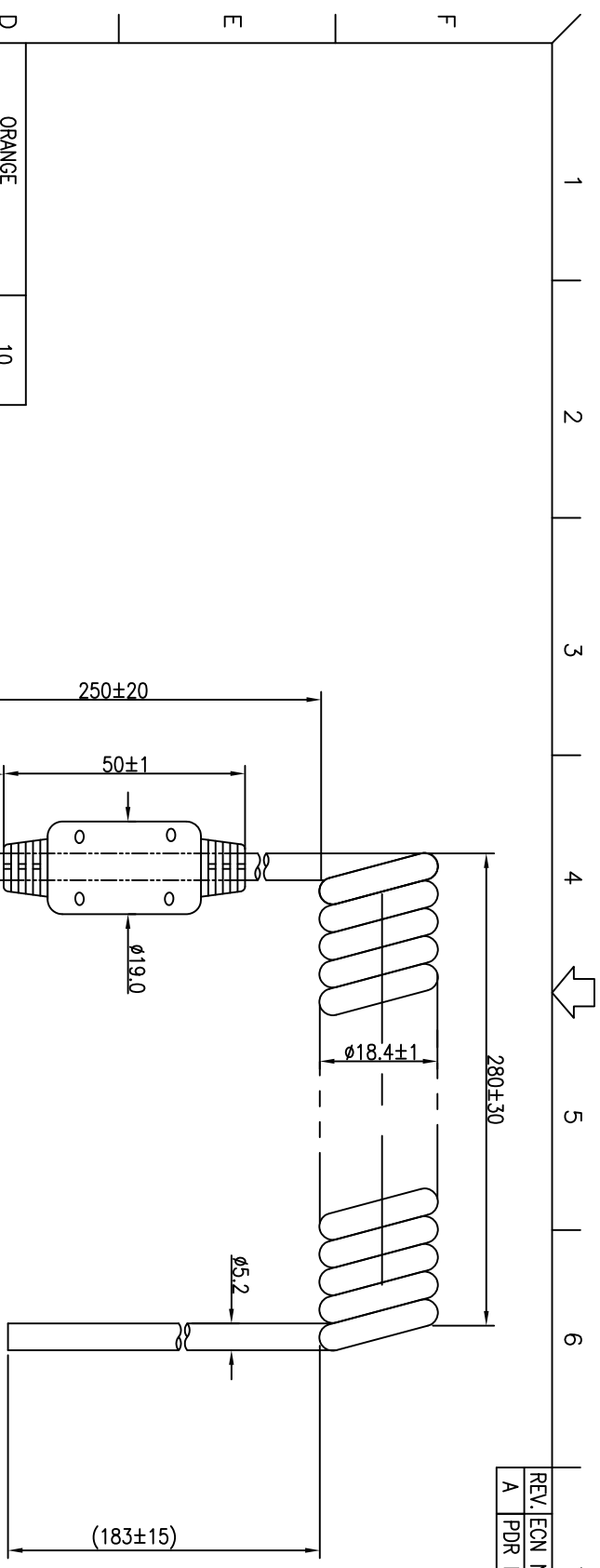
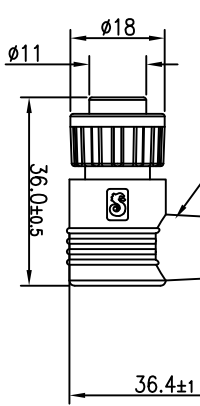
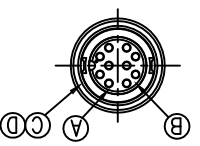


REV. A	ECN NO. PDR NO. S101221-5A	DESCRIPTION	REVISIED LILY	DATE
				2011.01.17



ORANGE	10
GRAY	9
PURPLE	8
YELLOW	7
GREEN	6
WHITE	5
BROWN	4
BLUE	3
BLACK	2
RED	1
WIRE COLOR	CONN.1
PIN OUT	CONN.1



WATERPROOF RATE: IP67

- NOTES:
1. WATERPROOF RATE: IP67
IP67: IMMERSIED IN 1M WATER FOR 30 MINUTES
 2. CURRENT RATING: 2A
 3. SPECIFICATIONS:SEE "CIRCULAR SERIES SPECIFICATIONS".
 4. TO CONFORM TO SINGATRON HAZARDOUS SUBSTANCE FREE SPEC.
 5. GREEN PRODUCT IDENTIFICATION LABEL ON PACKAGING:

G	CABLE	1	NOUJ22#*10C+PAPER (PU VW-1)+CORE	BLACK(PU JACKET)
F	INNER MOLD	1	TPU	NATURAL
E	OVER MOLD	1	PVC	BLACK
D	O-RING	1	EPDM	BLACK
C	LOCK NUT	1	NYLON+33%GF	BLACK
B	FEMALE PIN	10	Phosphor Bronze	6u" GOLD PLATING OVER NICKEL PLATING
A	BODY	1	NYLON+33%GF	BLACK
NO	DESCRIPTION	QTY	MATERIAL	PLATING & COLOR

UNLESS OTHERWISE SPECIFIED TOLERANCES

DECIMALS: ANGLES: X :±0.5 X :±2° X,X :±0.3 X,X :±1' X,XX :±0.2

TITLE		CIRCULAR STANDARD SIZE (90° IP67)	
DWN		FEMALE CONN. FEMALE TOPINGS) LOCK TYPE	
CHKD	LILY	PART NO.	2CT13010-W10201
APVD	Steve	SCALE	1:1
	Max	UNIT:	mm
		SHEET:	1 OF 1
		REV:	A

Singatron Enterprise Co., Ltd.
信音企业股份有限公司

CUSTOMER COPY

