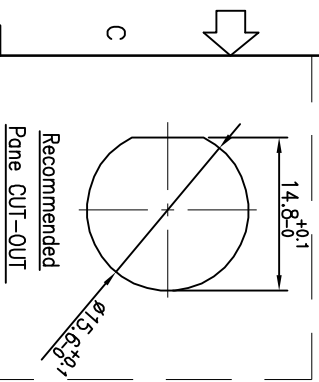
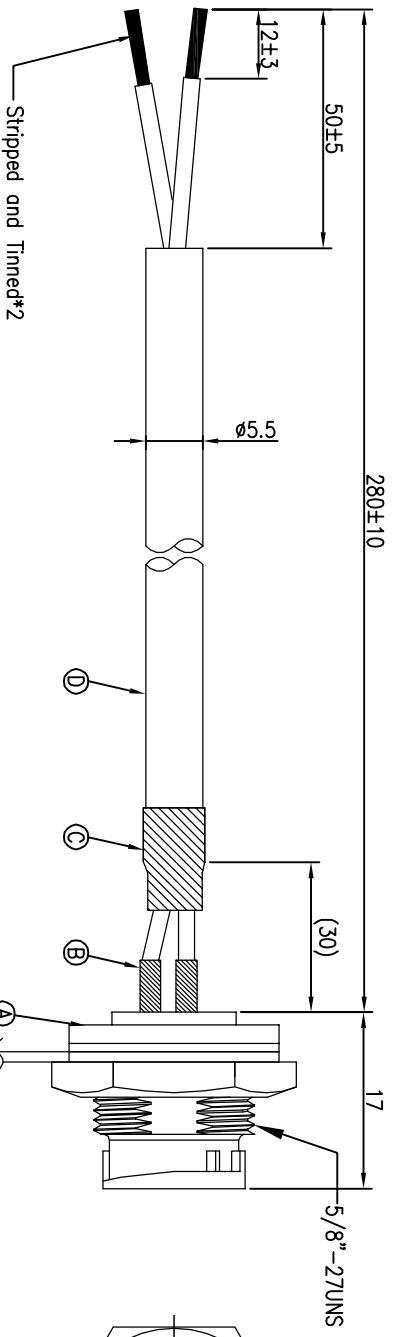
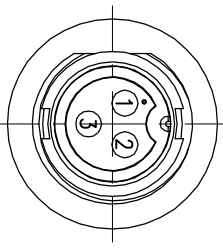


REV	ECN NO	OR DESCRIPTION	REVISED	DATE
A	PDR NO.:T160225-1A	Blues	2016.7.4	

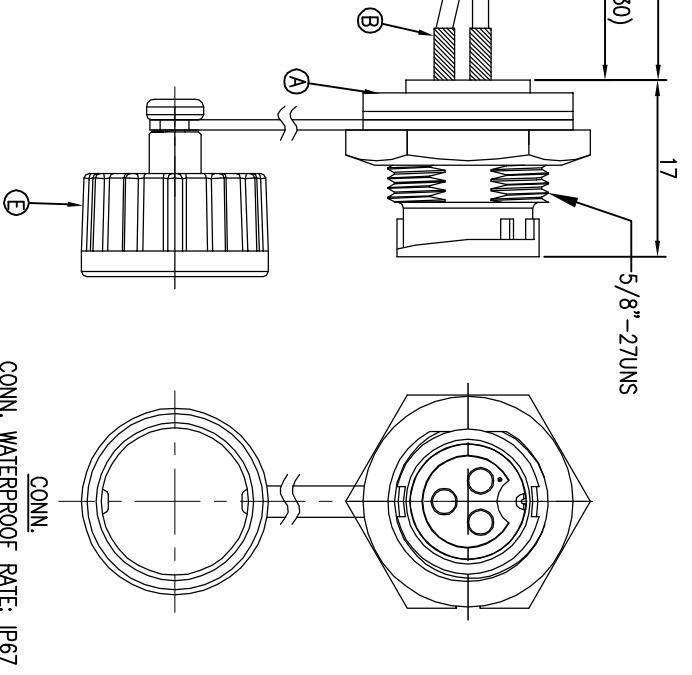


RED	3
BLACK	2
WIRE COLOR	1
PIN OUT	CONN.1



NOTES:

1. WATERPROOF RATE: IP67
IP67: IMMersed IN 1M WATER FOR 30 MINUTES
2. CURRENT RATING: 10A
3. SPECIFICATIONS:SEE "CIRCULAR SERIES SPECIFICATIONS".
4. TO CONFORM TO SINGATRON HAZARDOUS SUBSTANCE FREE SPEC.
5. GREEN PRODUCT IDENTIFICATION LABEL ON PACKAGING:



NO	DESCRIPTION	QTY	MATERIAL	PLATING & COLOR
E	CAP	1	Waterproof Cap	BLACK
D	CABLE	1	UL2464 18AWG*2C+D+AL (UV RESISTANT) OD5.5	BLACK(PVC JACKET)
C	HEAT SHRINK TUBE	1	125C 300V Ø6.0	BLACK
B	HEAT SHRINK TUBE	2	125C 300V Ø3.0	BLACK
A	CONNECTOR	1	CIRCULAR PANEL 3PIN MATERIAL	BLACK

UNLESS OTHERWISE SPECIFIED TOLERANCES

Singatron Enterprise Co., Ltd.
信亨企業股份有限公司

CIRCULAR STANDARD SIZE (SOLDER TYPE)
MALE CONN. FEMALE 3PIN

DECIMALS: ANGLES:

:.±0.5 X :±2°
X.X :±0.3 X.X :±1'
X.XX :±0.2

APVD Steve SIZE: A3 SHEET: 1 OF 1 REV: A

CUSTOMER COPY