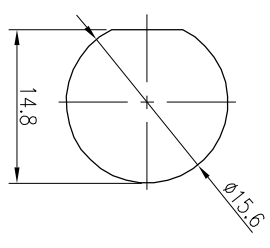
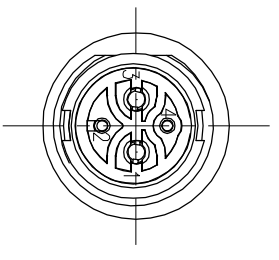
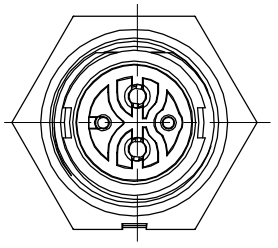
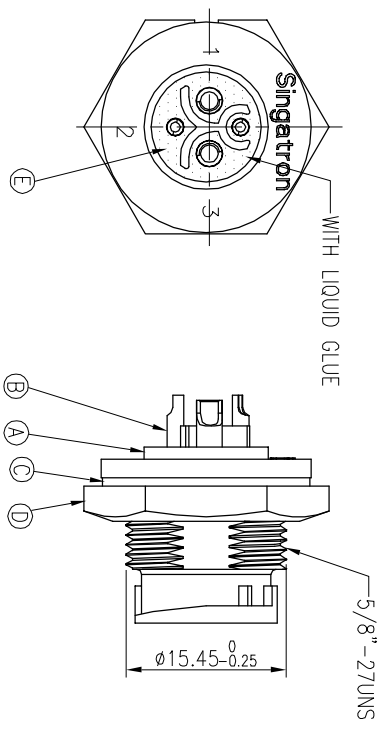
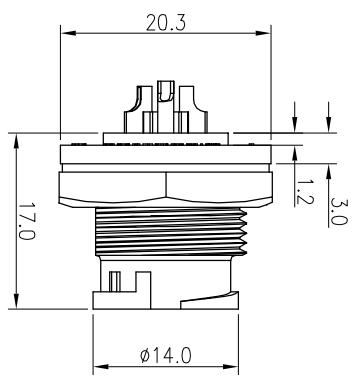


REV	ECN NO	OR DESCRIPTION	REVISED	DATE
A	PDR NO.1170503-1A	Yong	2017.08.03	

- NOTES:
1. WATERPROOF RATE: IP67
IP67: IMMERSED IN 1M WATER FOR 30 MINUTES
 2. ELECTRICAL CHARACTERISTICS
TEMPERATURE RANGE: -20°C TO +80°C
CURRENT RATING: 10A+5A
DIELECTRIC WITHSTANDING VOLTAGE: 1000V AC FOR ONE MINUTE
 3. SPECIFICATIONS: SEE "CIRCULAR SERIES SPECIFICATIONS".
 4. TO CONFORM TO SINGATRON HAZARDOUS SUBSTANCE FREE SPEC.
 5. GREEN PRODUCT IDENTIFICATION LABEL ON PACKAGING: **GR-PASS**
 6. FOR PANEL THICKNESS MAX OF 4.0mm



RECOMMENDED PANEL CUT-OUT



PIN ASSIGNMENTS
FRONT VIEW

E	LIQUID GLUE	1	N/A	BLACK
D	NUT	1	NYLON+GF	BLACK
C	GASKET	1	EPDM	BLACK
B	FEMALE PIN	4	Phosphor Bronze Alloy	1u" GOLD PLATED OVER NICKEL PLATING
A	BODY	1	NYLON+GF	BLACK
NO	DESCRIPTION	QTY	MATERIAL	PLATING & COLOR

UNLESS OTHERWISE SPECIFIED TOLERANCES

Singatron Enterprise Co., Ltd.
信亨企業股份有限公司

CIRCULAR STANDARD SIZE (SOLDER LOCK TYPE)
MALE CONN: FEMALE 2+2PIN(10A+5A)

TITLE	DWN	YANG	CERRY	WILLIAM	SCALE	UNIT	SHEET	REV
PART NO. 2CT3014-W04800H	X	X	X	X	2:1	mm	1 OF 1	A
CHKD	Cerry							
APVD	William				A3			

CUSTOMER COPY