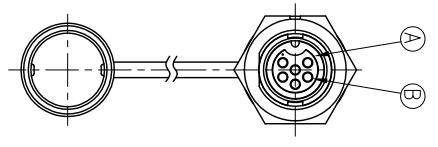
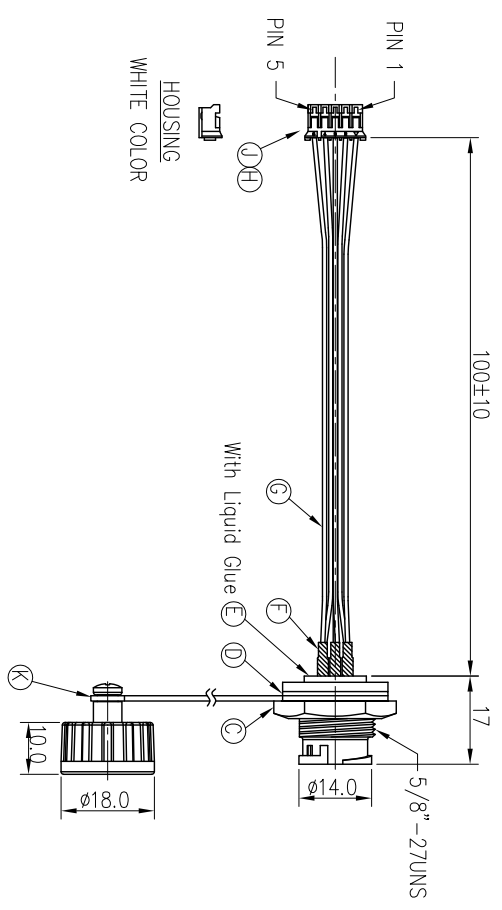
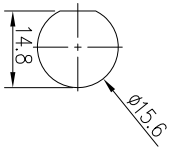
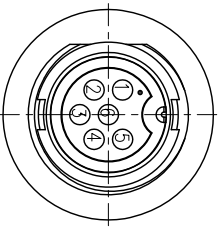


REV.	ECN NO OR DESCRIPTION	REVISED	DATE
A	PDR NO.: S130402-2A	JF	2013.05.21



WATERPROOF RATE: IP67

5	YELLOW	6
4	ORANGE	5
3	RED	4
2	BROWN	3
1	BLACK	2
HOUSING WIRE COLOR		1
PIN OUT		Conn.



Pin Assignments  
Front View

RECOMMENDED  
PANEL CUT-OUT

- NOTES:
1. WATERPROOF RATE: IP67
  2. IMMERSED IN 1M WATER FOR 30 MINUTES
  3. CURRENT RATING: 5A
  4. TO CONFORM TO SINGATRON HAZARDOUS SUBSTANCE FREE SPEC.
  5. GREEN PRODUCT IDENTIFICATION LABEL ON PACKAGING: **GR PASS**
  6. FOR PANEL THICKNESS MAX 2.0mm

K	WATERPROOF CAP	1	P/N: 2CT3000-W0000W	N/A
J	HOUSING	1	NYLON 66 UL 94V-0	WHITE
H	TERMINAL	5	Phosphor Bronze	TIN PLATING
G	WIRE	5	UL1007 24AWG	SEE PIN OUT
F	HEAT SHRINK TUBE	5	Ø2*8mm 125°C 300V	BLACK
E	LIQUID GLUE	1	N/A	BLACK
D	GASKET	1	EPDM	BLACK
C	PANEL NUT	1	NYLON+33%GF	BLACK
B	FEMALE PIN	6	Phosphor Bronze	6u" GOLD PLATING OVER NICKEL PLATING
A	BODY	1	NYLON+33%GF	BLACK
NO	DESCRIPTION	QTY	MATERIAL	PLATING & COLOR
UNLESS OTHERWISE SPECIFIED TOLERANCES				
Singatron Enterprise Co., Ltd. 信善企業股份有限公司				
TITLE: CIRCULAR STANDARD SIZE (SOLDER/LOCK TYPE)				
DWG: JF PART NO. 2CT3014-W06302H				
CHKD: Harlen SCALE 2:1 UNIT: mm				
APVD: QUAN SIZE: A3 SHEET: 1 OF 1 REV: A				
CUSTOMER COPY				