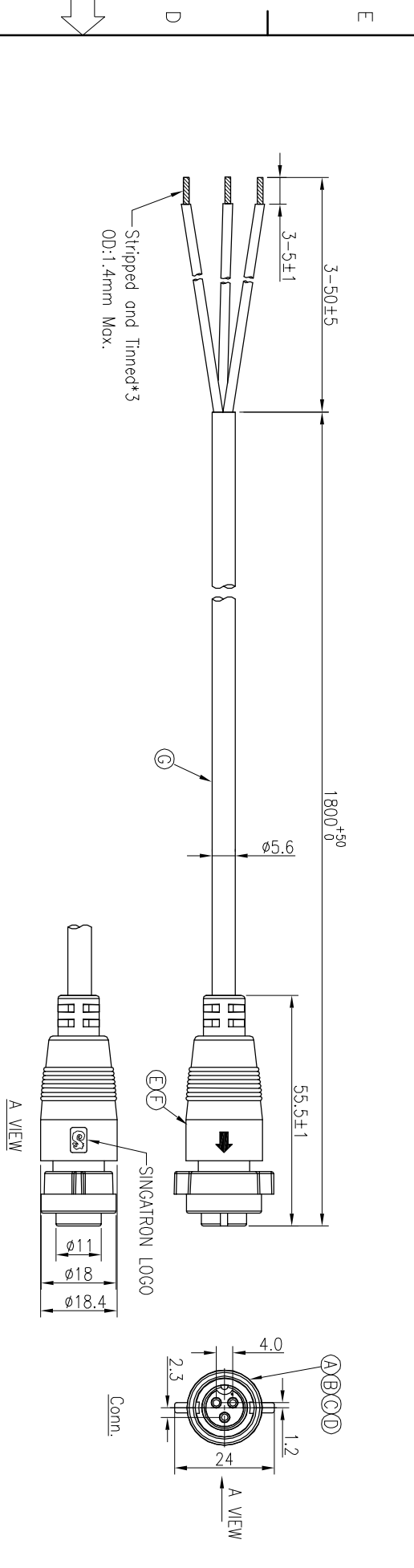
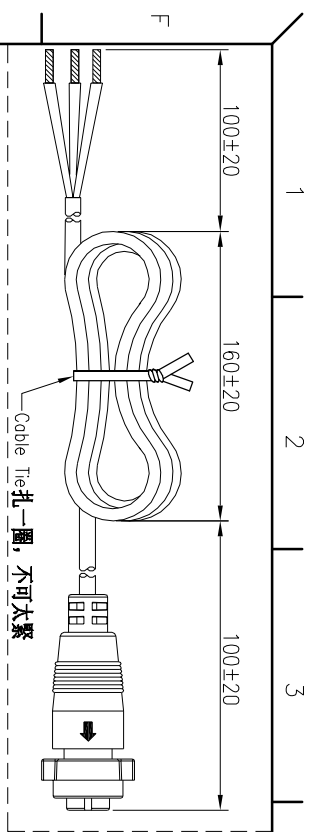
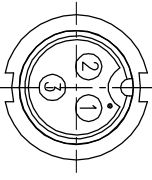


REV.	ECN NO.	OR DESCRIPTION	REVISED	DATE
A	PDR NO.:S140709-2A		Wcky	2016.08.02
B	ECN NO.:S201912-C24		Wcky	2019.12.23



YELLOW	3
BLACK	2
WHITE	1
WIRE COLOR	CONN.
PIN OUT	



Pin Assignments
Front View

- NOTES:
- ELECTRICAL CHARACTERISTICS:
 - 1-1 CURRENT RATING: 10 AMPS.
 - 1-2 CONTACT RESISTANCE: 3 Ohm Max.
 - 1-3 INSULATION RESISTANCE: 100 Mohm Min. at 500VDC.
 - 1-4 BREAKDOWN VOLTAGE: 1000 VAC PER MINUTE.
 - ENVIRONMENTAL:
 - 2-1 OPERATING TEMPERATURE: -20°C TO +80°C.
 - 2-2 SEALING REQUIREMENTS: IP65.
 - LIFE TEST: 1,000 CYCLES MIN.
 - OTHER GENERAL SPEC. TO REFER "CIRCULAR SERIES GENERAL SPEC".
 - FOR TECHNICAL DATA REFER TO YOUR LOCAL SINGATRON ELECTRONICS SALES OFFICE.
 - ALL DIMENSIONS ARE NOMINAL FOR REFERENCE ONLY UNLESS OTHERWISE STATED.
 - TO CONFORM TO SINGATRON HAZARDOUS SUBSTANCE FREE SPEC.
 - GREEN PRODUCT IDENTIFICATION LABEL ON PACKAGING: **GRN PAK**.

NO	DESCRIPTION	QTY	MATERIAL	PLATING & COLOR
A	BODY	1	PA66+GF	BLACK
B	MALE PIN	3	BRASS	1u" GOLD PLATING OVER NICKEL PLATING
C	LOCK NUT	1	PA66+GF	BLACK
D	O-RING	1	EPDM	BLACK
E	OVER MOLD	1	PVC	BLACK
F	INNER MOLD	1	PVC	BLACK
G	CABLE	1	UL2464 18AWG*3C+AL (UV) OD5.6	BLACK (PVC JACKET)

UNLESS OTHERWISE SPECIFIED TOLERANCES

DECIMALS:	ANGLES:
X :±0.5	X :±2°
X.X :±0.3	X.X :±1°
X.XX :±0.2	

Singatron Enterprise Co., Ltd.
信登企業股份有限公司

TITLE: CIRCULAR STANDARD SIZE (LOCK TYPE)
FEMALE CONN. MALE 3 PIN (104)

DWN: Wcky PART NO. 2CT3016-W03437H

CHKD: Carry SCALE 1:1 UNIT: mm

APVD: William SIZE: A3 SHEET: 1 OF 1 REV: B

CUSTOMER COPY