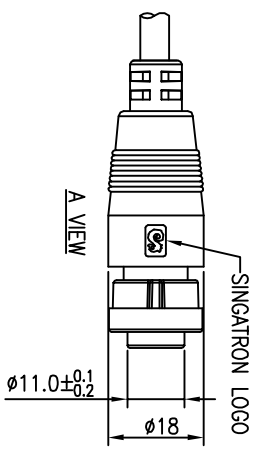
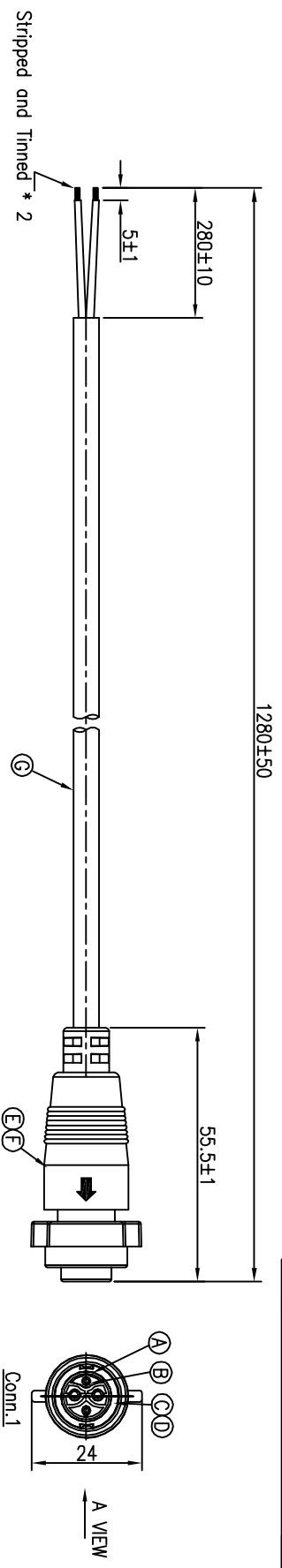
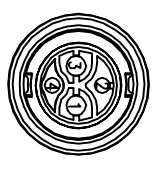


REV.	ECN NO	OR DESCRIPTION	REVISED	DATE
A	PDR NO.:S170406-1A		Vckly	2017.04.07
B	ECN NO:S171119-C		Vckly	2017.11.03



3	RED
1	BLACK
CONN.1	WIRE COLOR
	PIN OUT



Pin Assignments
Front View

- NOTES:
1. WATERPROOF RATE: IP55
 2. ELECTRICAL CHARACTERISTICS
TEMPERATURE RANGE:-20°C TO +80°C
CURRENT RATING: 10A
 3. TO CONFORM TO SINGATRON HAZARDOUS SUBSTANCE FREE SPEC.
 4. GREEN PRODUCT IDENTIFICATION LABEL ON PACKAGING:

G	CABLE	1	UL2464 18AWG*2C+D +AL 0D5.5UV	BLACK (PVC JACKET)
F	INNER MOLD	1	TPU	NATURAL
E	OVER MOLD	1	PVC	BLACK
D	O-RING	1	EPDM	BLACK
C	LOCK NUT	1	PA66+GF	BLACK
B	MALE PIN	4	BRASS	1u" GOLD PLATING OVER NICKEL PLATING
A	BODY	1	PA66+GF	BLACK
NO	DESCRIPTION	QTY	MATERIAL	PLATING & COLOR
UNLESS OTHERWISE SPECIFIED TOLERANCES				
Singatron Enterprise Co., Ltd. 信亨企業股份有限公司				
TITLE: CIRCULAR STANDARD SIZE (LOCK TYPE)				
DWN	Vckly		PART NO.:2CT9016-W04824H	
CHKD	Jf		SCALE 1:1	UNIT: mm
APVD	Steve		SIZE: A3	SHEET: 1 OF 1
REV: B				
CUSTOMER COPY				

1 2 3 4 5 6 7 8