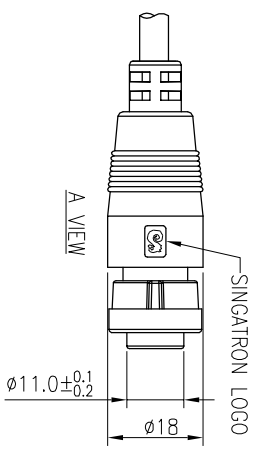
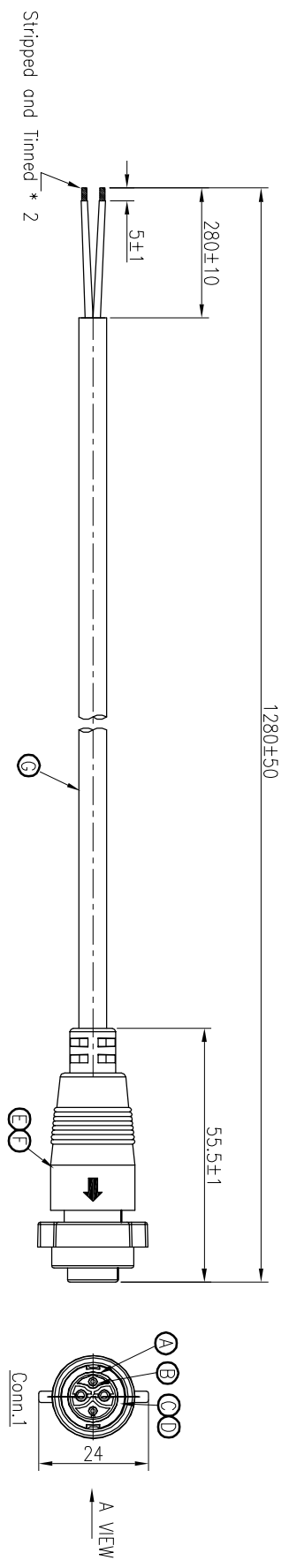
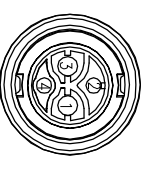


REV.	ECN NO.	OR DESCRIPTION	REVISED	DATE
A	PDR NO.:	T180109-1A	Jun	2018.03.22



3	RED
1	BLACK
CONN.1	WIRE COLOR
	PIN OUT



- NOTES:
1. WATERPROOF RATE: IP55
  2. ELECTRICAL CHARACTERISTICS  
TEMPERATURE RANGE:-20°C TO +80°C  
CURRENT RATING: 10A
  3. TO CONFORM TO SINGATRON HAZARDOUS SUBSTANCE FREE SPEC.
  4. GREEN PRODUCT IDENTIFICATION LABEL ON PACKAGING:

G	CABLE	1	UL2464 16AWG*2C +AL/MY UV 0D6.0	BLACK (PVC JACKET)
F	INNER MOLD	1	TPU	NATURAL
E	OVER MOLD	1	PVC	BLACK
D	O-RING	1	EPDM	BLACK
C	LOCK NUT	1	PA66+GF	BLACK
B	MALE PIN	4	BRASS	1u" GOLD PLATING OVER NICKEL PLATING
A	BODY	1	PA66+GF	BLACK
NO	DESCRIPTION	QTY	MATERIAL	PLATING & COLOR
UNLESS OTHERWISE SPECIFIED TOLERANCES				
Singatron Enterprise Co., Ltd. 信譽企業股份有限公司				
TITLE: CIRCULAR STANDARD SIZE (LOCK TYPE)				
DWN	Jun	PART NO. 2CT3016-W04830H		
CHKD	JF	SCALE 1:1	UNIT: mm	
APVD	Steve	SIZE: A3	SHEET: 1 OF 1	REV: A
CUSTOMER COPY				

Conn.1  
Pin Assignments  
Front View