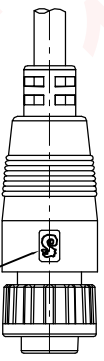
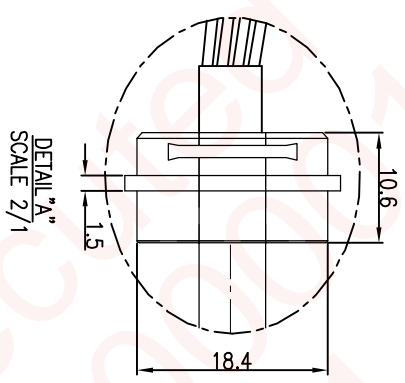
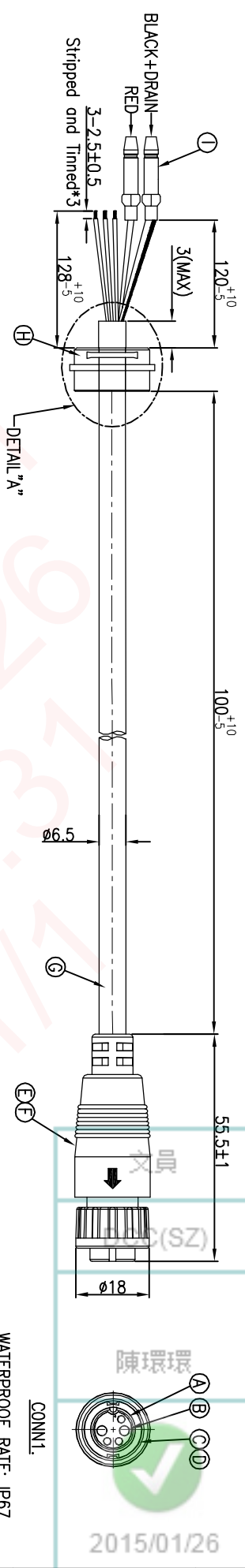
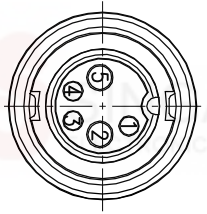


REV	ECN NO OR DESCRIPTION	REVISED	DATE
A	PDR NO.:S150105-1A	Vicky	2015.01.04



5	RED(16#)
4	YELLOW(24#)
3	ORANGE(24#)
2	BLACK(16#)
1	RDE(24#)
CONN1.	WIRE COLOR
PIN OUT	
CONN.1	



- NOTES:
1. WATERPROOF RATE: IP67
  2. CURRENT RATING: (10A+5A)
  3. SPECIFICATIONS:SEE "CIRCULAR SERIES SPECIFICATIONS".
  4. TO CONFORM TO SINGATRON HAZARDOUS SUBSTANCE FREE SPEC.
  5. GREEN PRODUCT IDENTIFICATION LABEL ON PACKAGING:

1	TERMINAL	2	Ø3.5 L=16 T=0.4	TINNED
H	SR	1	HYTREL	WHITE
G	CABLE	1	UL2464 16AWG*2C+(24AWG*3C+AL)+AL+D	WHITE(PVC JACKET)
F	INNER MOLD	1	TPU	NATURAL
E	OVER MOLD	1	PVC	WHITE
D	O-RING	1	EPDM	BLACK
C	LOCK NUT	1	PA66+25%GF	WHITE
B	MALE PIN	5	HB159-1.5B	6u" GOLD PLATING OVER NICKEL PLATING
A	BODY	1	PA66+25%GF	WHITE
NO	DESCRIPTION	QTY	MATERIAL	PLATING & COLOR

UNLESS OTHERWISE SPECIFIED TOLERANCES

DECIMALS:	ANGLES:
X :±0.5	X :±2°
X.X :±0.3	X.X :±1'
X.XX :±0.2	

Singatron Enterprise Co., Ltd. 信登企業股份有限公司	
TITLE	CIRCULAR STANDARD SIZE (LOCK TYPE)
DWN	FEMALE CONN. MALE (2+3) PM(10+5)A
CHKD	Vicky
APVD	Horlen
SCALE	1:1
UNIT	mm
SHEET	1 OF 1
REV	A

CUSTOMER COPY