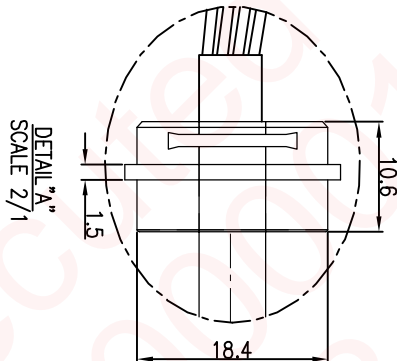
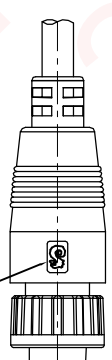
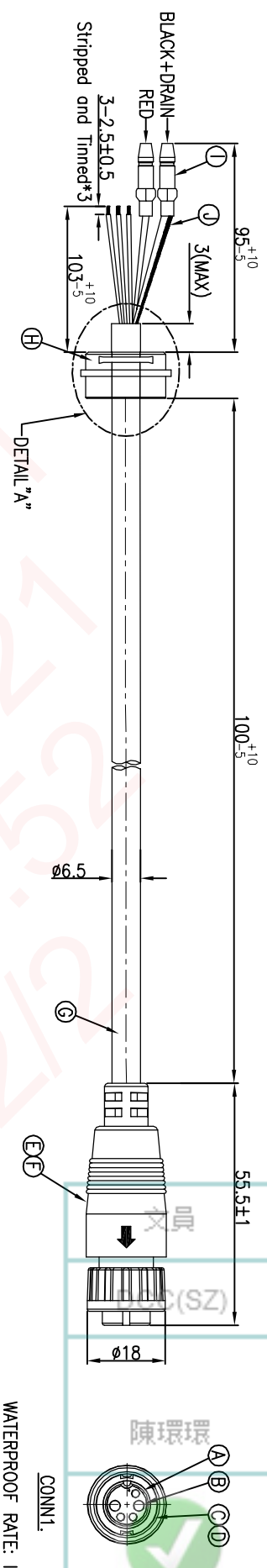
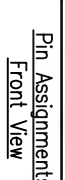


REV	ECN NO OR DESCRIPTION	REVISED	DATE
A	PDR NO.:S150309-10A	Vicky	2015.02.11



5	RED(16#)
4	YELLOW(24#)
3	ORANGE(24#)
2	BLACK(16#)
1	RDE(24#)
CONN1	WIRE COLOR
PIN OUT	
CONN.1	

- NOTES:
1. WATERPROOF RATE: IP67
 2. CURRENT RATING: (10A+5A)
 3. SPECIFICATIONS:SEE "CIRCULAR SERIES SPECIFICATIONS".
 4. TO CONFORM TO SINGATRON HAZARDOUS SUBSTANCE FREE SPEC.
 5. GREEN PRODUCT IDENTIFICATION LABEL ON PACKAGING:



Pin Assignments
Front View

1 2 3 4 5 6 7 8

J	HEAT SHRINK TUBE	1	OD:1.0 300V	BLACK
I	TERMINAL	2	99041(密弗)	TINNED
H	SR	1	HYTREL	WHITE
G	CABLE	1	UL2464 16AWG*2C+(24AWG*3C+AL)+AL+D	WHITE(PVC JACKET)
F	INNER MOLD	1	TPU	NATURAL
E	OVER MOLD	1	PVC	WHITE
D	O-RING	1	EPDM	BLACK
C	LOCK NUT	1	PA66+25%GF	WHITE
B	MALE PIN	5	HB159-1.5B	6u" GOLD PLATING OVER NICKEL PLATING
A	BODY	1	PA66+25%GF	WHITE

UNLESS OTHERWISE SPECIFIED TOLERANCES		SINGATRON ENTERPRISE CO., LTD.	
DECIMALS:	ANGLES:	Circular Standard Size (Lock Type)	
X : ±0.5	X : ±2°	FEMALE CONN. MALE (2+3) PWT0+5A	
X.X : ±0.3	X.X : ±1°	PART NO. 2CT13016-W05819H	
X.XX : ±0.2		CHKD: Horlen	SCALE: 1:1
		APVD: Steve	UNIT: mm
			SHEET: 1 OF 1
			REV: A

CUSTOMER COPY