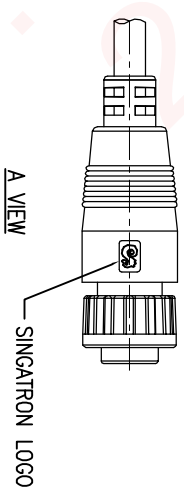
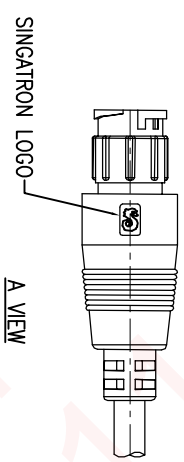
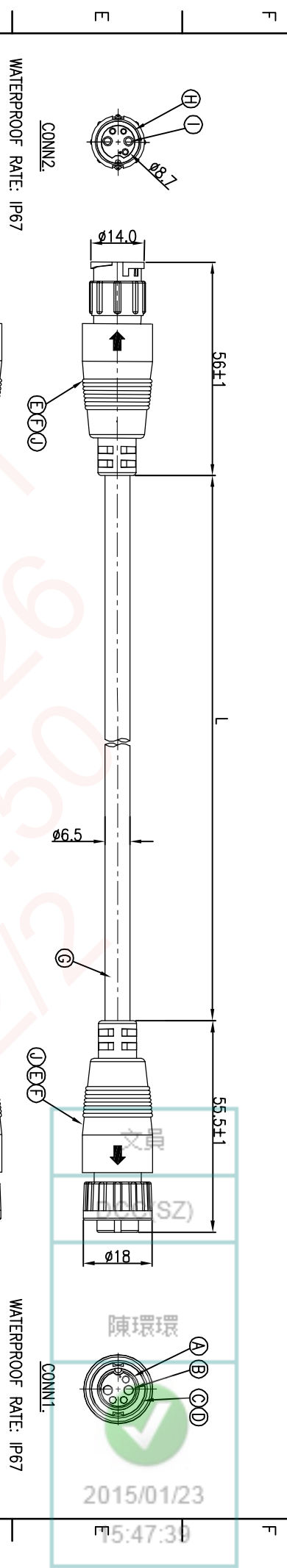
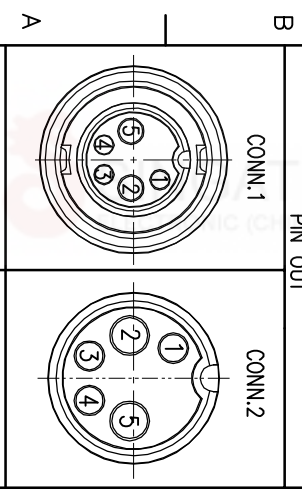


REV	ECN NO OR DESCRIPTION	REVISED	DATE
A	PDR NO.:S150114-5A&5C&5E Vicky		2015.01.04



5	RED(16#)	5
4	YELLOW(24#)	4
3	ORANGE(24#)	3
2	BLACK(16#)+DRAIN	2
1	RDE(24#)	1
CONN1. WIRE COLOR		CONN2.
PIN OUT		
CONN.1		CONN.2

PART NO	"L" mm
2CT3016-W05815H	L=900±50
2CT3016-W05816H	L=1600±50
2CT3016-W05817H	L=2500±100



- NOTES:
1. WATERPROOF RATE: IP67
 2. CURRENT RATING: (10A+5A)
 3. SPECIFICATIONS:SEE "CIRCULAR SERIES SPECIFICATIONS".
 4. TO CONFORM TO SINGATRON HAZARDOUS SUBSTANCE FREE SPEC.
 5. GREEN PRODUCT IDENTIFICATION LABEL ON PACKAGING:

J	HEAT SHRINK TUBE	1	125° 300V L=250	BLACK
I	FEMALE PIN	5	Phosphor Bronze	6u" GOLD PLATING OVER NICKEL PLATING
H	BODY	1	PA66+25%GF	WHITE
G	CABLE	1	UL2464 16AWG*2C+(24AWG*3C+AL)+AL+D	WHITE(PVC JACKET)
F	INNER MOLD	2	TPU	NATURAL
E	OVER MOLD	2	PVC	WHITE
D	O-RING	1	EPDM	BLACK
C	LOCK NUT	1	PA66+25%GF	WHITE
B	MALE PIN	5	HB159-1.5B	6u" GOLD PLATING OVER NICKEL PLATING
A	BODY	1	PA66+25%GF	WHITE
NO	DESCRIPTION	QTY	MATERIAL	PLATING & COLOR

Singatron Enterprise Co., Ltd.
信登企業股份有限公司

UNLESS OTHERWISE SPECIFIED TOLERANCES		TITLE	
DECIMALS:	ANGLES:	CIRCULAR STANDARD SIZE (LOCK TYPE)	
X : ±0.5	X : ±.2°	FEMALE CONN. MALE (2+3) PWT10+51A	
X.X : ±0.3	X.X : ±.1°	PART NO.2CT3016-W0581XH	
X.XX : ±0.2		CHKD	Horlen
		APVD	Steve
		SCALE	1:1
		UNIT:	mm
		SHEET:	1 OF 1
		REV:	A
CUSTOMER COPY			