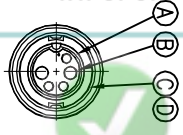
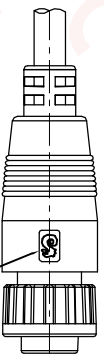
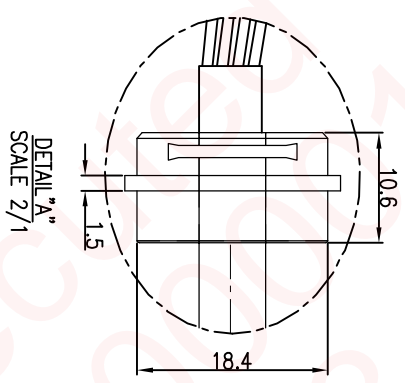
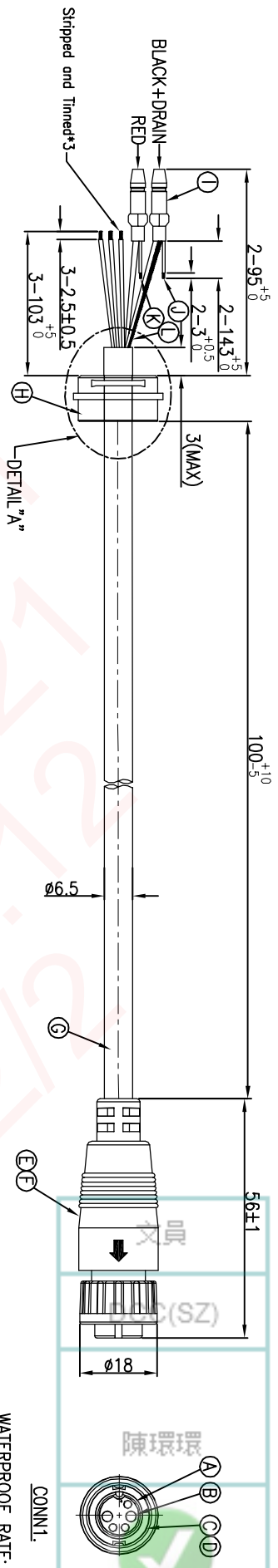
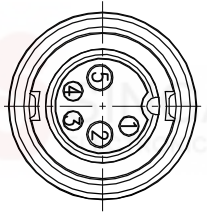


REV	ECN NO OR DESCRIPTION	REVISED	DATE
A	PDR NO.:S150309-10C	Vicky	2015.02.11



5	RED(16#)
4	YELLOW(24#)
3	ORANGE(24#)
2	BLACK(16#)
1	RDE(24#)
CONN1.	WIRE COLOR
PIN OUT	
CONN.1	



- NOTES:
1. WATERPROOF RATE: IP67
  2. CURRENT RATING: (10A+5A)
  3. SPECIFICATIONS:SEE "CIRCULAR SERIES SPECIFICATIONS".
  4. TO CONFORM TO SINGATRON HAZARDOUS SUBSTANCE FREE SPEC.
  5. GREEN PRODUCT IDENTIFICATION LABEL ON PACKAGING:

L	HEAT SHRINK TUBE	1	OD:1.0 300V	BLACK
K	WIRE	1	UL1007 22AWG	RED
J	WIRE	1	UL1007 22AWG	BLACK
I	TERMINAL	2	99041(德典)	TINNED
H	SR	1	HYTREL	WHITE
G	CABLE	1	UL2464 16AWG*2C+(24AWG*3C+AL)+AL+D	WHITE(PVC JACKET)
F	INNER MOLD	1	TPU	NATURAL
E	OVER MOLD	1	PVC	WHITE
D	O-RING	1	EPDM	BLACK
C	LOCK NUT	1	PA66+25%GF	WHITE
B	MALE PIN	5	HB159-1.5B	6u" GOLD PLATING OVER NICKEL PLATING
A	BODY	1	PA66+25%GF	WHITE
NO	DESCRIPTION	QTY	MATERIAL	PLATING & COLOR
UNLESS OTHERWISE SPECIFIED TOLERANCES				
Singatron Enterprise Co., Ltd. 信登企業股份有限公司				
DECIMALS:		ANGLES:		
X	:±0.5	X	:±2°	
X.X	:±0.3	X.X	:±1'	
X.XX	:±0.2			
TITLE: CIRCULAR STANDARD SIZE (LOCK TYPE) FEMALE CONN. MALE (2+3) PWT(10+5)A				
DWN: Vicky PART NO.2CT13016-W05820H				
CHKD: Horten SCALE 1:1 UNIT: mm				
APVD: Steve SIZE: A3 SHEET:1 OF 1 REV: A				
CUSTOMER COPY				