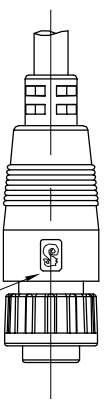
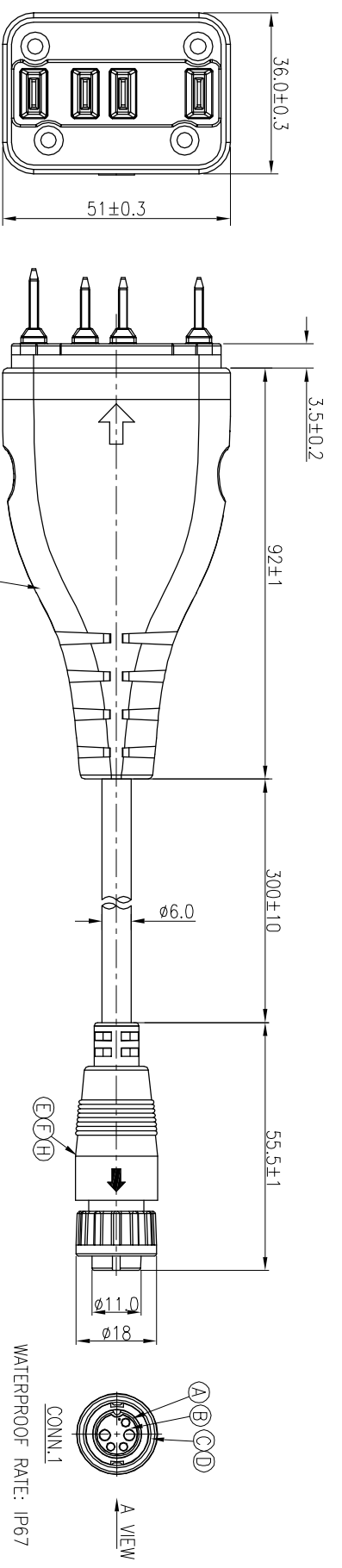
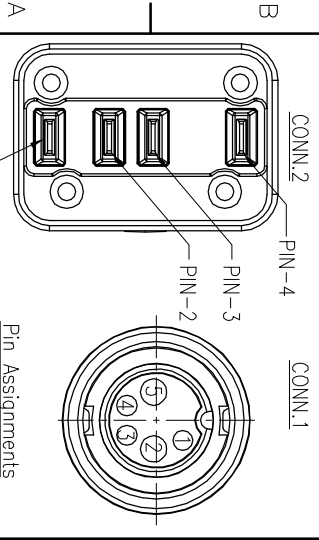


REV.	ECN NO.	OR DESCRIPTION	REVISED	DATE
A	PDR NO.1170406-2A	Yong	2018.01.08	



3	BLACK(20AWG)	4
2	YELLOW(24AWG)	3
1	WHITE(20AWG)	1
CONN.2 WIRE COLOR		CONN.1
PIN OUT		



- NOTES:
1. WATERPROOF RATE: IP67  
IP67: IMMERSED IN 1M WATER FOR 30 MINUTES
  2. CURRENT RATING: 5+10A
  3. SPECIFICATIONS:SEE "CIRCULAR SERIES SPECIFICATIONS".
  4. TO CONFORM TO SINGATRON HAZARDOUS SUBSTANCE FREE SPEC.
  5. GREEN PRODUCT IDENTIFICATION LABEL ON PACKAGING:

G	CONNECTOR	1	P/N:C30906(MODIARY)	BLACK
F	INNER MOLD	1	TPU	NATURAL
E	OVER MOLD	1	PVC	BLACK
D	O-RING	1	EPDM	BLACK
C	LOCK NUT	1	NYLON+GF	BLACK
B	MALE PIN	5	BRASS	GOLD PLATING OVER NICKEL PLATING
A	BODY	1	NYLON+GF	BLACK
NO	DESCRIPTION	QTY	MATERIAL	PLATING & COLOR

UNLESS OTHERWISE SPECIFIED TOLERANCES

Singatron Enterprise Co., Ltd.  
信登企業股份有限公司

DECIMALS:		ANGLES:	
X	:±0.5	X	:±2°
X.X	:±0.3	X.X	:±1°
X.XX	:±0.2		

TITLE	CIRCULAR STANDARD SIZE (LOCK TYPE)	FEMALE CONN. MALE (2+3) PIN(10+5)A
DWN	Yong	<b>PART NO.2CT3016-W05823H</b>
CHKD	Cerry	SCALE 1:1 UNIT: mm
APVD	William	SIZE: A3 SHEET: 1 OF 1 <b>REV:4</b>

**CUSTOMER COPY**