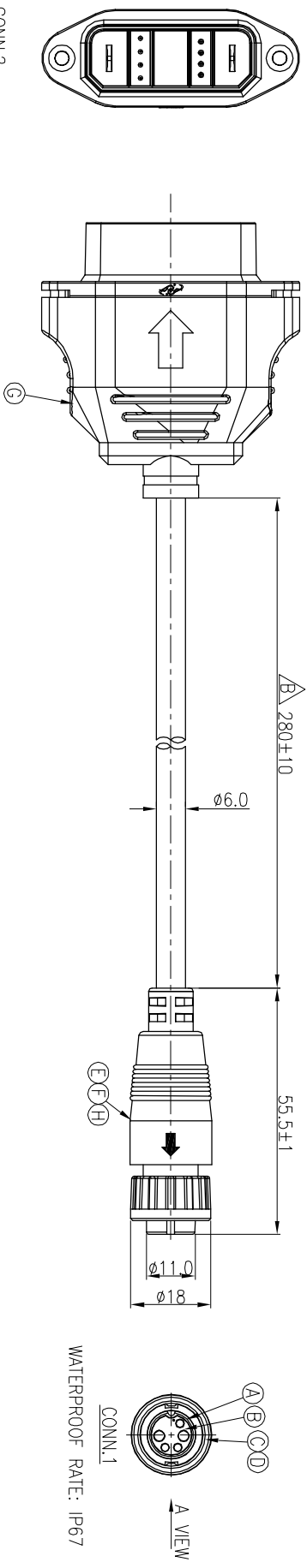
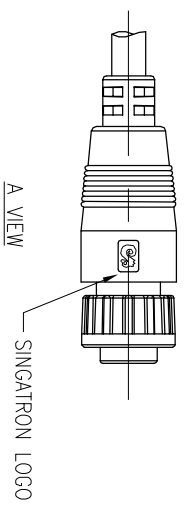
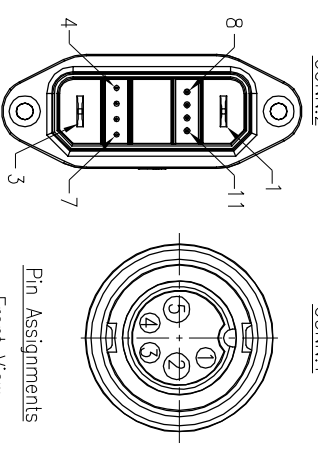


REV.	ECN NO.	OR DESCRIPTION	REVISED	DATE
A	PDR NO:1170406-4A	Yong	2018.01.08	
B	ECN NO.:S202005-C11	RZ	2020.07.07	



CONN.2	WIRE COLOR	CONN.1	PIN OUT
9	GREEN		
7	BROWN		
6	WHITE		
4	RED		3
5	YELLOW		4
10	ORANGE		5
11	BLUE		2
3	BLACK		1



$\triangle$ B

G	CONNECTOR (料号)	上海P/N:SS-1090018	BLACK
F	INNER MOLD	TPU	NATURAL
E	OVER MOLD	PVC	BLACK
D	O-RING	EPDM	BLACK
C	LOCK NUT	NYLON+GF	BLACK
B	MALE PIN	BRASS	GOLD PLATING OVER NICKEL PLATING
A	BODY	NYLON+GF	BLACK
NO	DESCRIPTION	QTY	PLATING & COLOR

UNLESS OTHERWISE SPECIFIED TOLERANCES

Singatron Enterprise Co., Ltd.  
信登企業股份有限公司

TITLE: CIRCULAR STANDARD SIZE (LOCK TYPE)  
FEMALE CONN. MALE (2+3) PIN(10+5)A

DWN: RZ PART NO. 2CT3016-W05823H  
CHKD: Cerry SCALE 1:1 UNIT: mm  
APVD: William SIZE: A3 SHEET: 1 OF 1 REV: B

DECIMALS: ANGLES:  
X :±0.5 X :±2'  
X.X :±0.3 X.X :±1"  
X.XX :±0.2 X.XX :±0.2

CUSTOMER COPY

- NOTES:
1. WATERPROOF RATE: IP67
  2. CURRENT RATING: 5+10A
  3. SPECIFICATIONS:SEE "CIRCULAR SERIES SPECIFICATIONS".
  4. TO CONFORM TO SINGATRON HAZARDOUS SUBSTANCE FREE SPEC.
  5. GREEN PRODUCT IDENTIFICATION LABEL ON PACKAGING: