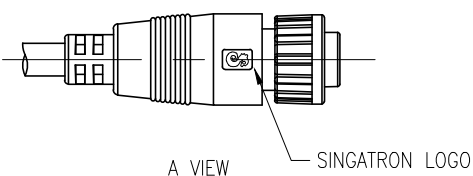
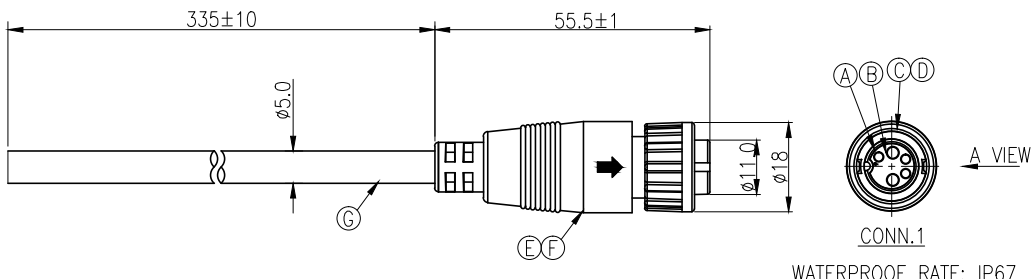
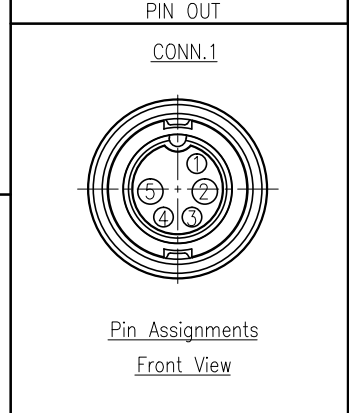


REV.	ECN NO OR DESCRIPTION	REVISED	DATE
A	PDR NO.T191021-3A	JTT	2020.04.17



PURPLE	5
WHITE	4
RED	3
YELLOW	2
BLACK	1
WIRE COLOR	CONN.1



- NOTES:
1. WATERPROOF RATE: IP67
IP67: IMMERSED IN 1M WATER FOR 30 MINUTES
 2. SPECIFICATIONS:SEE "CIRCULAR SERIES SPECIFICATIONS".
 3. TO CONFORM TO SINGATRON HAZARDOUS SUBSTANCE FREE SPEC.
 4. GREEN PRODUCT IDENTIFICATION LABEL ON PACKAGING: **G.P. PASS**

G	CABLE	1	UL2464 24AWG*5C+AL	BLACK
F	INNER MOLD	1	TPU	NATURAL
E	OVER MOLD	1	PVC	BLACK
D	O-RING	1	EPDM	BLACK
C	LOCK NUT	1	NYLON+GF	BLACK
B	MALE PIN	5	BRASS	GOLD PLATING OVER NICKEL PLATING
A	BODY	1	NYLON+GF	BLACK
NO	DESCRIPTION	QTY	MATERIAL	PLATING & COLOR

UNLESS OTHERWISE SPECIFIED TOLERANCES		Singatron Enterprise Co., Ltd. 信音企業股份有限公司		
DECIMALS:	ANGLES:	TITLE	CIRCULAR STANDARD SIZE (LOCK TYPE) FEMALE CONN. MALE (2+3)	
X :±0.5	X :±2'	DWN	Jtt	PART NO.2CT3016-W05828H
X.X :±0.3	X.X :±1'	CHKD	Cerry	SCALE 1:1 UNIT: mm
X.XX :±0.2		APVD	William	SIZE: A3 SHEET:1 OF 1 REV: A
CUSTOMER COPY				