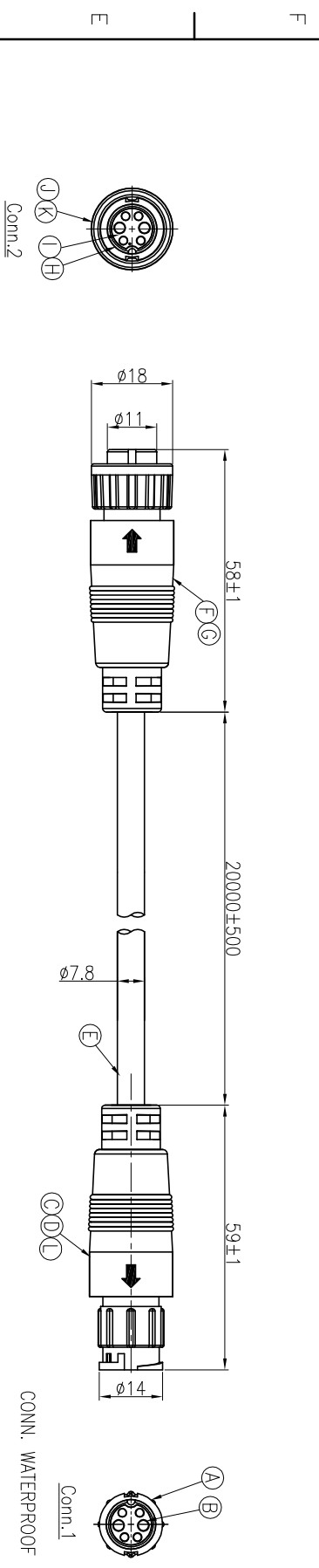


REV.	ECN NO.	OR DESCRIPTION	REVISED	DATE
A	PDR NO.:	S141121-4A	Yong	2016.08.05

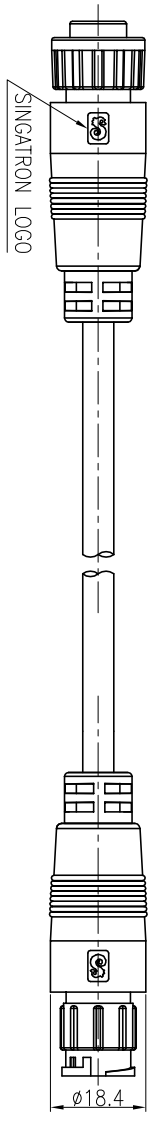


CONN. WATERPROOF RATE: IP67

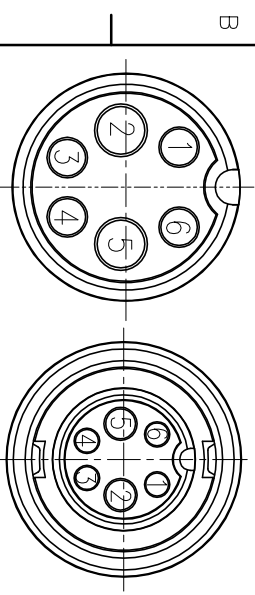
Conn.2

CONN. WATERPROOF RATE: IP67

Conn.1



6	ORANGE/WHITE(26#)	6
5	RED(16#)	5
4	BROWN(26#)	4
3	BROWN/WHITE(26#)	3
2	BLACK(16#)+DRAIN	2
1	ORANGE(16#)	1
CONN.1 WIRE COLOR		CONN.2
PIN OUT		



CONN.1 Pin Assignments Front View

CONN.2 Pin Assignments Front View

- NOTES:
1. WATERPROOF RATE: IP67
IP67: IMMERSED IN 1M WATER FOR 30 MINUTES
 2. SPECIFICATIONS:SEE "CIRCULAR SERIES SPECIFICATIONS".
 3. TO CONFORM TO SINGATRON HAZARDOUS SUBSTANCE FREE SPEC.
 4. GREEN PRODUCT IDENTIFICATION LABEL ON PACKAGING: **GR PASS**

L	TUBE	12	125°C 300V	BLACK
K	O-RING	1	EPDM	BLACK
J	LOCK NUT	1	NYLON+GF	BLACK
I	MALE PIN	6	BRASS	GOLD PLATING OVER NICKEL PLATING
H	BODY	1	NYLON+GF	BLACK
G	INNER MOLD	1	TPU	BLACK
F	OVER MOLD	1	PVC	BLACK
E	CABLE	1	UL2464 26#*2P+ 16#*2C+F+AL+D+B (UV RESISTANT)OD 7.8	BLACK (PVC JACKET)
D	INNER MOLD	1	TPU	BLACK
C	OVER MOLD	1	PVC	BLACK
B	FEMALE PIN	6	PHOSPHOR BRONZE	GOLD PLATING OVER NICKEL PLATING
A	BODY	1	NYLON+GF	BLACK
NO	DESCRIPTION	QTY	MATERIAL	PLATING & COLOR

UNLESS OTHERWISE SPECIFIED TOLERANCES

DECIMALS:	ANGLES:
X :±0.5	X :±2°
X.X :±0.3	X.X :±1°
X.XX :±0.2	

Singatron Enterprise Co., Ltd.
信善企業股份有限公司

TITLE	CIRCULAR STANDARD SIZE (IP67) FEMALE CONN. MALE (2+4)PIN(10+5)A LOCK TYPE
DWN	Yong
CHKD	Horlen
APVD	Steve
PART NO.	2CT3016-W06828H
SCALE	2:1
UNIT	mm
SHEET	1 OF 1
REV	A

CUSTOMER COPY