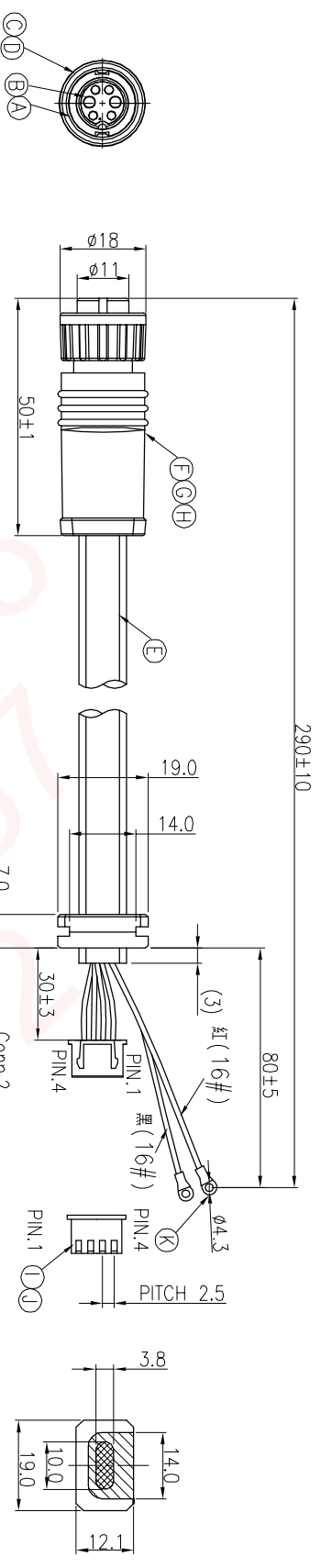
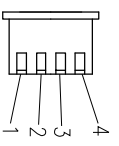
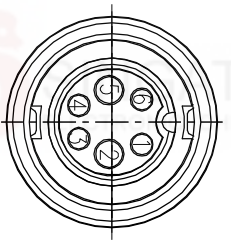


REV.	ECN NO.	OR DESCRIPTION	REVISED	DATE
A	PDR NO.:	S150129-5A	Yong	2015.08.03



CONN. WATERPROOF RATE: IP67

6	ORANGE/WHITE(25#)	4
5	RED(16#)	KST RVS2-4
4	BROWN(26#)	2
3	BROWN/WHITE(26#)	1
2	BLACK(16#)	KST RVS2-4
1	ORANGE(26#)	3
CONN.1 WIRE COLOR		CONN.2



- NOTES:
1. WATERPROOF RATE: IP67
 2. SPECIFICATIONS:SEE "CIRCULAR SERIES SPECIFICATIONS".
 3. TO CONFORM TO SINGATRON HAZARDOUS SUBSTANCE FREE SPEC.
 4. GREEN PRODUCT IDENTIFICATION LABEL ON PACKAGING:

L	SR	1	HYTREL	BLACK
K	TERMINAL	2	KST ϕ 4.3*10.8	TIN-PLATED
J	TERMINAL	4	PHOSPHOR BRONZE	TIN-PLATED
I	HOUSING	1	NYLON	WHITE
H	TUBE	6	125 $^{\circ}$ 300V	BLACK
G	INNER MOLD	1	TPU	BLACK
F	OVER MOLD	1	PVC	BLACK
E	CABLE	1	UL2464 16#*2C+ 26#*4C+T OD 3.8*10	BLACK
D	O-RING	1	EPDM	BLACK
C	LOCK NUT	1	NYLON+GF	BLACK
B	MALE PIN	6	BRASS	GOLD PLATING OVER NICKEL PLATING
A	BODY	1	NYLON+GF	BLACK

UNLESS OTHERWISE SPECIFIED TOLERANCES

Singatron Enterprise Co., Ltd.
信善企業股份有限公司

CIRCULAR STANDARD SIZE (IP67)
FEMALE CONN. MALE (2+4)PIN(10+5)A LOCK TYPE

TITLE: **PART NO.2CT3016-W06831H**

DWN: Yong SCALE 2:1 UNIT: mm

CHKD: JF SIZE: A3 SHEET: 1 OF 1 REV: A

APVD: Horlen

DECIMALS: ANGLES: X :±0.5 X :±2° X.X :±0.3 X.X :±1' X.XX :±0.2

CUSTOMER COPY