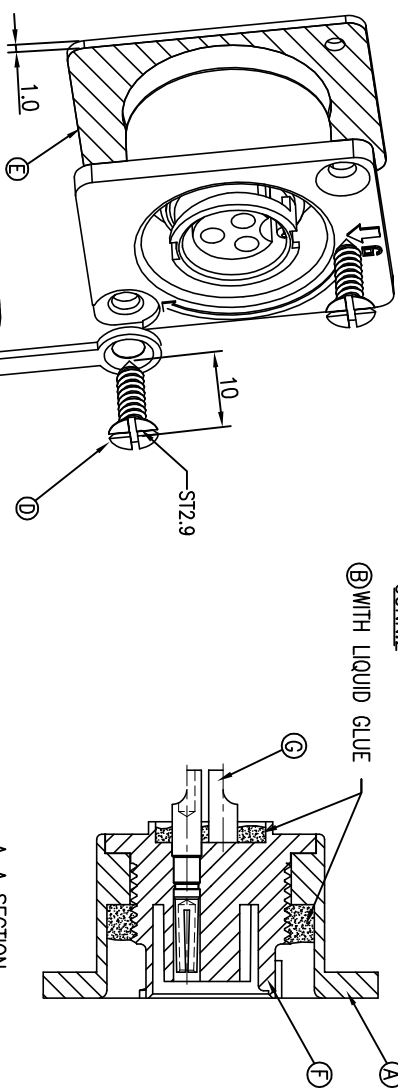
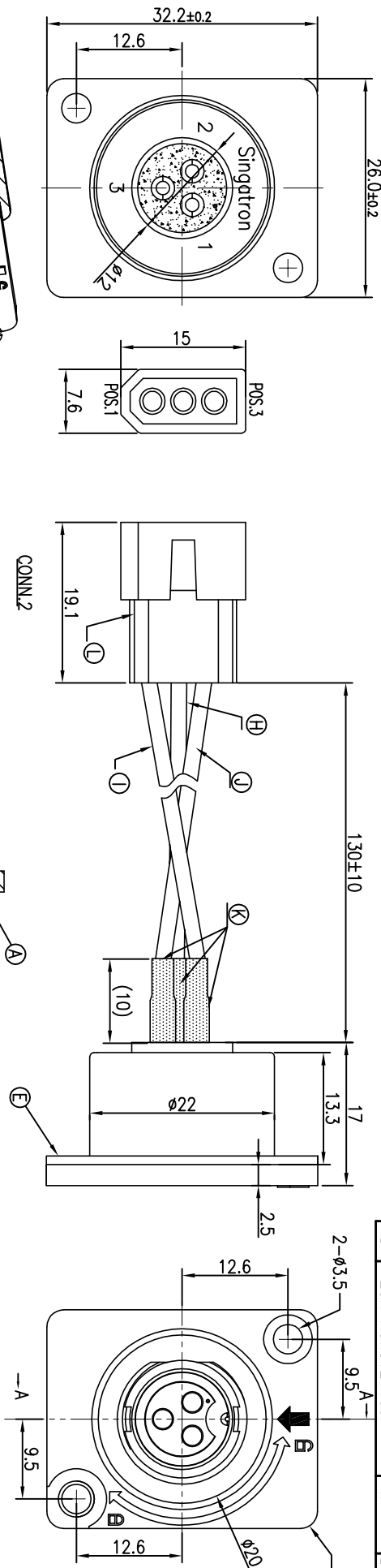
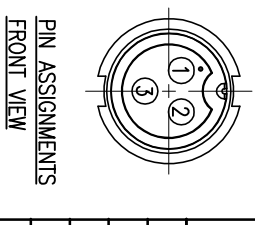


REV.	ECN NO.	OR DESCRIPTION	REVISED	DATE
B	ECN NO.: S20100817	HARLEN	20100816	
C	ECN NO.: S110707	HARLEN	2011.8.2	
D	ECN NO.: S121109	YF	2014.03.28	



- NOTES:
1. WATERPROOF RATE: IP55
 2. ELECTRICAL CHARACTERISTICS TEMPERATURE RANGE: -20°C TO +80°C
 3. CURRENT RATING: 10A
 4. DIELECTRIC WITHSTANDING VOLTAGE: 1000V AC FOR ONE MINUTE
 5. SPECIFICATIONS: SEE "CIRCULAR SERIES SPECIFICATIONS"
 6. TO CONFORM TO SINGATRON HAZARDOUS SUBSTANCE FREE SPEC.
 7. GREEN PRODUCT IDENTIFICATION LABEL ON PACKAGING: [GREEN PASS]
 8. 螺絲、防護蓋以附件形式包裝出貨
 9. THE TORQUE OF SCREWING: 3.5KGF MAX
 10. AFTER 5000CYCLES LIFE TEST OF DUST CAP WITHOUT ANY FRACTURES OR CRACKS OF THE BAD SITUATION.



CONN.	2 WIRE COLOR	CONN.	1
3	YELLOW	3	
2	BLACK	2	
1	WHITE	1	

PIN ASSIGNMENTS FRONT VIEW

L	CONNECTOR	3	BRASS	TIN PLATING
K	HEAR SHRINK TUBE	3	Ø3.0mm 300Y 125°	BLACK
J	WIRE	1	UL1015 18AWG	YELLOW
I	WIRE	1	UL1015 18AWG	WHITE
H	WIRE	1	UL1015 18AWG	BLACK
G	FEMALE PIN	3	Phosphor Bronze	1u" GOLD PLATING OVER NICKEL PLATING
F	PANEL BODY	1	PA66+30%GF	BLACK
E	GASKET	1	EPDM 70° ADHESIVE	BLACK
D	SCREW	2	STAINLESS STEEL	N/A
C	DUST CAP	1	HYTREL	BLACK
B	LIQUID GLUE	1	N/A	BLACK
A	HOUSING	1	PA66+30%GF	BLACK
NO	DESCRIPTION	QTY	MATERIAL	PLATING & COLOR

UNLESS OTHERWISE SPECIFIED TOLERANCES

DECIMALS: ANGLES:

X :±0.5 X :±2°

X.X :±0.3 X.X :±1°

X.XX :±0.2

Singatron Enterprise Co., Ltd.
信譽企業股份有限公司

TITLE	POWER 3PIN(10A)
DWN	YF
CHKD	Harlen
APVD	Quan
PART NO.	2CT8020-W034A2
SCALE	2:1
UNIT	mm
SIZE	A3
SHEET	1 OF 1
REV.	D

CUSTOMER COPY